



Government Gazette Staatskoerant

REPUBLIC OF SOUTH AFRICA
REPUBLIEK VAN SUID AFRIKA

Regulation Gazette

No. 11005

Regulasiekoerant

Vol. 653

15

November
November

2019

No. 42840

N.B. The Government Printing Works will not be held responsible for the quality of "Hard Copies" or "Electronic Files" submitted for publication purposes

ISSN 1682-5843



9 771682 584003



AIDS HELPLINE: 0800-0123-22 Prevention is the cure

IMPORTANT NOTICE OF OFFICE RELOCATION**government
printing**Department:
Government Printing Works
REPUBLIC OF SOUTH AFRICAPrivate Bag X85, PRETORIA, 0001 149 Bosman Street, PRETORIA
Tel: 012 748 6197, Website: www.gpwonline.co.za**URGENT NOTICE TO OUR VALUED CUSTOMERS: PUBLICATIONS
OFFICE'S RELOCATION HAS BEEN TEMPORARILY SUSPENDED.**

Please be advised that the GPW Publications office will no longer move to 88 Visagie Street as indicated in the previous notices.

The move has been suspended due to the fact that the new building in 88 Visagie Street is not ready for occupation yet.

We will later on issue another notice informing you of the new date of relocation.

We are doing everything possible to ensure that our service to you is not disrupted.

As things stand, we will continue providing you with our normal service from the current location at 196 Paul Kruger Street, Masada building.

Customers who seek further information and or have any questions or concerns are free to contact us through telephone 012 748 6066 or email Ms Maureen Toka at Maureen.Toka@gpw.gov.za or cell phone at 082 859 4910.

Please note that you will still be able to download gazettes free of charge from our website www.gpwonline.co.za.

We apologise for any inconvenience this might have caused.

Issued by GPW Communications

IMPORTANT NOTICE:

THE GOVERNMENT PRINTING WORKS WILL NOT BE HELD RESPONSIBLE FOR ANY ERRORS THAT MIGHT OCCUR DUE TO THE SUBMISSION OF INCOMPLETE / INCORRECT / ILLEGIBLE COPY.

No FUTURE QUERIES WILL BE HANDLED IN CONNECTION WITH THE ABOVE.

Contents

<i>No.</i>		<i>Gazette No.</i>	<i>Page No.</i>
GOVERNMENT NOTICES • GOEWERMENTSKENNISGEWINGS			
Labour, Department of/ Arbeid, Departement van			
R. 1482	Labour Relations Act, 1995: Bargaining Council for the Civil Engineering Industry (BCCEI): Extension of Administration Expenses and Registration Collective Amending Agreement to Non-Parties	42840	14
R. 1483	Occupational Health and Safety Act (85/1993): Draft Major Hazard Installation Regulations	42840	22
R. 1484	Labour Relations Act, 1995: National Bargaining Council of the Leather Industry of South Africa: Extension to Non-parties of the Agency Shop Collective Agreement for Employees	42840	76
National Treasury/ Nasionale Tesourie			
R. 1485	Military Pensions Act (84/1976): Determination of amounts for purposes of the Act.....	42840	81
R. 1485	Wet op Militêre Pensioene (84/1976): Betaling van bedrae vir doeleindes van die Wet.....	42840	83
Non-Governmental Organization/ Nie-Regeringsorganisasie			
R. 1486	Wine of Origin Scheme: Notice of application for the defining of production area: Greater Cape (Overarching Geographical Unit).....	42840	85
R. 1486	Wyn van Oorsprong-skema: Kennisgewing van aansoek vir die omskrywing van produksiegebied: Greater Cape (Oorkoepelende Streek).....	42840	86
R. 1487	Wine of Origin Scheme: Notice of application for the defining of production area: Cape West Coast (Subregion) ..	42840	87
R. 1487	Wyn van Oorsprong-skema: Kennisgewing van aansoek vir die omskrywing van produksiegebied: Kaap Weskus (Substreek)	42840	88
R. 1488	Wine of Origin Scheme: Notice of application for the defining of production areas (wards): Groblershoop, Grootdrink, Kakamas, Keimoes, Upington and amendment of Central Orange River Ward to a District	42840	89
R. 1488	Wyn van Oorsprong-skema: Kennisgewing van aansoek vir die omskrywing van produksiegebiede (wyke): Groblershoop, Grootdrink, Kakamas, Keimoes, Upington en Wysiging van Sentraal Oranjerivier Wyk na distrik ...	42840	90
South African Revenue Service/ Suid-Afrikaanse Inkomstediens			
R. 1489	Customs and Excise Act, 1964: Amendment of Schedule No. 1 (No. 1/5/166).....	42840	91
R. 1489	Doeane- en Aksynswet, 1964: Wysiging van Bylae No. 1 (No. 1/5/166).....	42840	92



government
printing

Department:
Government Printing Works
REPUBLIC OF SOUTH AFRICA

HIGH ALERT: SCAM WARNING!!!

TO ALL SUPPLIERS AND SERVICE PROVIDERS OF THE GOVERNMENT PRINTING WORKS

It has come to the attention of the *GOVERNMENT PRINTING WORKS* that there are certain unscrupulous companies and individuals who are defrauding unsuspecting businesses disguised as representatives of the *Government Printing Works (GPW)*.

The scam involves the fraudsters using the letterhead of *GPW* to send out fake tender bids to companies and requests to supply equipment and goods.

Although the contact person's name on the letter may be of an existing official, the contact details on the letter are not the same as the *Government Printing Works*. When searching on the Internet for the address of the company that has sent the fake tender document, the address does not exist.

The banking details are in a private name and not company name. Government will never ask you to deposit any funds for any business transaction. *GPW* has alerted the relevant law enforcement authorities to investigate this scam to protect legitimate businesses as well as the name of the organisation.

Example of e-mails these fraudsters are using:

PROCUREMENT@GPW-GOV.ORG

Should you suspect that you are a victim of a scam, you must urgently contact the police and inform the *GPW*.

GPW has an official email with the domain as @gpw.gov.za

Government e-mails DO NOT have org in their e-mail addresses. All of these fraudsters also use the same or very similar telephone numbers. Although such number with an area code 012 looks like a landline, it is not fixed to any property.

GPW will never send you an e-mail asking you to supply equipment and goods without a purchase/order number. *GPW* does not procure goods for another level of Government. The organisation will not be liable for actions that result in companies or individuals being resultant victims of such a scam.

Government Printing Works gives businesses the opportunity to supply goods and services through RFQ / Tendering process. In order to be eligible to bid to provide goods and services, suppliers must be registered on the National Treasury's Central Supplier Database (CSD). To be registered, they must meet all current legislative requirements (e.g. have a valid tax clearance certificate and be in good standing with the South African Revenue Services - SARS).

The tender process is managed through the Supply Chain Management (SCM) system of the department. SCM is highly regulated to minimise the risk of fraud, and to meet objectives which include value for money, open and effective competition, equitability, accountability, fair dealing, transparency and an ethical approach. Relevant legislation, regulations, policies, guidelines and instructions can be found on the tender's website.

Fake Tenders

National Treasury's CSD has launched the Government Order Scam campaign to combat fraudulent requests for quotes (RFQs). Such fraudulent requests have resulted in innocent companies losing money. We work hard at preventing and fighting fraud, but criminal activity is always a risk.

How tender scams work

There are many types of tender scams. Here are some of the more frequent scenarios:

Fraudsters use what appears to be government department stationery with fictitious logos and contact details to send a fake RFQ to a company to invite it to urgently supply goods. Shortly after the company has submitted its quote, it receives notification that it has won the tender. The company delivers the goods to someone who poses as an official or at a fake site. The Department has no idea of this transaction made in its name. The company is then never paid and suffers a loss.

OR

Fraudsters use what appears to be government department stationery with fictitious logos and contact details to send a fake RFQ to Company A to invite it to urgently supply goods. Typically, the tender specification is so unique that only Company B (a fictitious company created by the fraudster) can supply the goods in question.

Shortly after Company A has submitted its quote it receives notification that it has won the tender. Company A orders the goods and pays a deposit to the fictitious Company B. Once Company B receives the money, it disappears. Company A's money is stolen in the process.

Protect yourself from being scammed

- If you are registered on the supplier databases and you receive a request to tender or quote that seems to be from a government department, contact the department to confirm that the request is legitimate. Do not use the contact details on the tender document as these might be fraudulent.
- Compare tender details with those that appear in the Tender Bulletin, available online at www.gpwonline.co.za
- Make sure you familiarise yourself with how government procures goods and services. Visit the tender website for more information on how to tender.
- If you are uncomfortable about the request received, consider visiting the government department and/or the place of delivery and/or the service provider from whom you will be sourcing the goods.
- In the unlikely event that you are asked for a deposit to make a bid, contact the SCM unit of the department in question to ask whether this is in fact correct.

Any incidents of corruption, fraud, theft and misuse of government property in the *Government Printing Works* can be reported to:

Supply Chain Management: Ms. Anna Marie Du Toit, Tel. (012) 748 6292.
Email: Annamarie.DuToit@gpw.gov.za

Marketing and Stakeholder Relations: Ms Bonakele Mbhele, at Tel. (012) 748 6193.
Email: Bonakele.Mbhele@gpw.gov.za

Security Services: Mr Daniel Legoabe, at tel. (012) 748 6176.
Email: Daniel.Legoabe@gpw.gov.za

Closing times for **ORDINARY WEEKLY** **REGULATION GAZETTE** **2019**

The closing time is 15:00 sharp on the following days:

- **27 December 2018**, Thursday for the issue of Friday **04 January 2019**
- **04 January**, Friday for the issue of Friday **11 January 2019**
- **11 January**, Friday for the issue of Friday **18 January 2019**
- **18 January**, Friday for the issue of Friday **25 January 2019**
- **25 January**, Friday for the issue of Friday **01 February 2019**
- **01 February**, Friday for the issue of Friday **08 February 2019**
- **08 February**, Friday for the issue of Friday **15 February 2019**
- **15 February**, Friday for the issue of Friday **22 February 2019**
- **22 February**, Friday for the issue of Friday **01 March 2019**
- **01 March**, Friday for the issue of Friday **08 March 2019**
- **08 March**, Friday for the issue of Friday **15 March 2019**
- **14 March**, Thursday for the issue of Friday **22 March 2019**
- **22 March**, Friday for the issue of Friday **29 March 2019**
- **29 March**, Friday for the issue of Friday **05 April 2019**
- **05 April**, Friday for the issue of Friday **12 April 2019**
- **11 April**, Thursday for the issue of Thursday **18 April 2019**
- **17 April**, Wednesday for the issue of Friday **26 April 2019**
- **25 April**, Thursday for the issue of Friday **03 May 2019**
- **03 May**, Friday for the issue of Friday **10 May 2019**
- **10 May**, Friday for the issue of Friday **17 May 2019**
- **17 May**, Friday for the issue of Friday **24 May 2019**
- **24 May**, Friday for the issue of Friday **31 May 2019**
- **31 May**, Friday for the issue of Friday **07 June 2019**
- **07 June**, Friday for the issue of Friday **14 June 2019**
- **13 June**, Thursday for the issue of Friday **21 June 2019**
- **21 June**, Friday for the issue of Friday **28 June 2019**
- **28 June**, Friday for the issue of Friday **05 July 2019**
- **05 July**, Friday for the issue of Friday **12 July 2019**
- **12 July**, Friday for the issue of Friday **19 July 2019**
- **19 July**, Friday for the issue of Friday **26 July 2019**
- **26 July**, Friday for the issue of Friday **02 August 2019**
- **01 August**, Thursday for the issue of Thursday **08 August 2019**
- **08 August**, Thursday for the issue of Friday **16 August 2019**
- **16 August**, Friday for the issue of Friday **23 August 2019**
- **23 August**, Friday for the issue of Friday **30 August 2019**
- **30 August**, Friday for the issue of Friday **06 September 2019**
- **06 September**, Friday for the issue of Friday **13 September 2019**
- **13 September**, Friday for the issue of Friday **20 September 2019**
- **19 September**, Thursday for the issue of Friday **27 September 2019**
- **27 September**, Friday for the issue of Friday **04 October 2019**
- **04 October**, Friday for the issue of Friday **11 October 2019**
- **11 October**, Friday for the issue of Friday **18 October 2019**
- **18 October**, Friday for the issue of Friday **25 October 2019**
- **25 October**, Friday for the issue of Friday **01 November 2019**
- **01 November**, Friday for the issue of Friday **08 November 2019**
- **08 November**, Friday for the issue of Friday **15 November 2019**
- **15 November**, Friday for the issue of Friday **22 November 2019**
- **22 November**, Friday for the issue of Friday **29 November 2019**
- **29 November**, Friday for the issue of Friday **06 December 2019**
- **06 December**, Friday for the issue of Friday **13 December 2019**
- **12 December**, Thursday for the issue of Friday **20 December 2019**
- **18 December**, Wednesday for the issue of Friday **27 December 2019**

LIST OF TARIFF RATES FOR PUBLICATION OF NOTICES

COMMENCEMENT: 1 APRIL 2018

NATIONAL AND PROVINCIAL

Notice sizes for National, Provincial & Tender gazettes 1/4, 2/4, 3/4, 4/4 per page. Notices submitted will be charged at R1008.80 per full page, pro-rated based on the above categories.

Pricing for National, Provincial - Variable Priced Notices		
Notice Type	Page Space	New Price (R)
Ordinary National, Provincial	1/4 - Quarter Page	252.20
Ordinary National, Provincial	2/4 - Half Page	504.40
Ordinary National, Provincial	3/4 - Three Quarter Page	756.60
Ordinary National, Provincial	4/4 - Full Page	1008.80

EXTRA-ORDINARY

All Extra-ordinary National and Provincial gazette notices are non-standard notices and attract a variable price based on the number of pages submitted.

The pricing structure for National and Provincial notices which are submitted as **Extra ordinary submissions** will be charged at **R3026.32** per page.

GOVERNMENT PRINTING WORKS - BUSINESS RULES

The **Government Printing Works (GPW)** has established rules for submitting notices in line with its electronic notice processing system, which requires the use of electronic *Adobe* Forms. Please ensure that you adhere to these guidelines when completing and submitting your notice submission.

CLOSING TIMES FOR ACCEPTANCE OF NOTICES

1. The *Government Gazette* and *Government Tender Bulletin* are weekly publications that are published on Fridays and the closing time for the acceptance of notices is strictly applied according to the scheduled time for each gazette.

2. Please refer to the Submission Notice Deadline schedule in the table below. This schedule is also published online on the Government Printing works website www.gpwonline.co.za

All re-submissions will be subject to the standard cut-off times.

All notices received after the closing time will be rejected.

Government Gazette Type	Publication Frequency	Publication Date	Submission Deadline	Cancellations Deadline
National Gazette	Weekly	Friday	Friday 15h00 for next Friday	Tuesday, 15h00 - 3 working days prior to publication
Regulation Gazette	Weekly	Friday	Friday 15h00 for next Friday	Tuesday, 15h00 - 3 working days prior to publication
Petrol Price Gazette	Monthly	Tuesday before 1st Wednesday of the month	One day before publication	1 working day prior to publication
Road Carrier Permits	Weekly	Friday	Thursday 15h00 for next Friday	3 working days prior to publication
Unclaimed Monies (Justice, Labour or Lawyers)	January / September 2 per year	Last Friday	One week before publication	3 working days prior to publication
Parliament (Acts, White Paper, Green Paper)	As required	Any day of the week	None	3 working days prior to publication
Manuals	Bi- Monthly	2nd and last Thursday of the month	One week before publication	3 working days prior to publication
State of Budget (National Treasury)	Monthly	30th or last Friday of the month	One week before publication	3 working days prior to publication
<i>Extraordinary Gazettes</i>	As required	Any day of the week	<i>Before 10h00 on publication date</i>	<i>Before 10h00 on publication date</i>
Legal Gazettes A, B and C	Weekly	Friday	One week before publication	Tuesday, 15h00 - 3 working days prior to publication
Tender Bulletin	Weekly	Friday	Friday 15h00 for next Friday	Tuesday, 15h00 - 3 working days prior to publication
Gauteng	Weekly	Wednesday	Two weeks before publication	3 days after submission deadline
Eastern Cape	Weekly	Monday	One week before publication	3 working days prior to publication
Northern Cape	Weekly	Monday	One week before publication	3 working days prior to publication
North West	Weekly	Tuesday	One week before publication	3 working days prior to publication
KwaZulu-Natal	Weekly	Thursday	One week before publication	3 working days prior to publication
Limpopo	Weekly	Friday	One week before publication	3 working days prior to publication
Mpumalanga	Weekly	Friday	One week before publication	3 working days prior to publication

GOVERNMENT PRINTING WORKS - BUSINESS RULES

Government Gazette Type	Publication Frequency	Publication Date	Submission Deadline	Cancellations Deadline
Gauteng Liquor License Gazette	Monthly	Wednesday before the First Friday of the month	Two weeks before publication	3 working days after submission deadline
Northern Cape Liquor License Gazette	Monthly	First Friday of the month	Two weeks before publication	3 working days after submission deadline
National Liquor License Gazette	Monthly	First Friday of the month	Two weeks before publication	3 working days after submission deadline
Mpumalanga Liquor License Gazette	Bi-Monthly	Second & Fourth Friday	One week before publication	3 working days prior to publication

EXTRAORDINARY GAZETTES

3. *Extraordinary Gazettes* can have only one publication date. If multiple publications of an *Extraordinary Gazette* are required, a separate Z95/Z95Prov *Adobe* Forms for each publication date must be submitted.

NOTICE SUBMISSION PROCESS

4. Download the latest *Adobe* form, for the relevant notice to be placed, from the **Government Printing Works** website www.gpwonline.co.za.
5. The *Adobe* form needs to be completed electronically using *Adobe Acrobat / Acrobat Reader*. Only electronically completed *Adobe* forms will be accepted. No printed, handwritten and/or scanned *Adobe* forms will be accepted.
6. The completed electronic *Adobe* form has to be submitted via email to submit.egazette@gpw.gov.za. The form needs to be submitted in its original electronic *Adobe* format to enable the system to extract the completed information from the form for placement in the publication.
7. Every notice submitted **must** be accompanied by an official **GPW** quotation. This must be obtained from the *eGazette* Contact Centre.
8. Each notice submission should be sent as a single email. The email **must** contain **all documentation relating to a particular notice submission**.
 - 8.1. Each of the following documents must be attached to the email as a separate attachment:
 - 8.1.1. An electronically completed *Adobe* form, specific to the type of notice that is to be placed.
 - 8.1.1.1. For National *Government Gazette* or *Provincial Gazette* notices, the notices must be accompanied by an electronic Z95 or Z95Prov *Adobe* form
 - 8.1.1.2. The notice content (body copy) **MUST** be a separate attachment.
 - 8.1.2. A copy of the official **Government Printing Works** quotation you received for your notice. (*Please see Quotation section below for further details*)
 - 8.1.3. A valid and legible Proof of Payment / Purchase Order: **Government Printing Works** account customer must include a copy of their Purchase Order. **Non-Government Printing Works** account customer needs to submit the proof of payment for the notice
 - 8.1.4. Where separate notice content is applicable (Z95, Z95 Prov and TForm 3, it should **also** be attached as a separate attachment. (*Please see the Copy Section below, for the specifications*).
 - 8.1.5. Any additional notice information if applicable.

GOVERNMENT PRINTING WORKS - BUSINESS RULES

9. The electronic *Adobe* form will be taken as the primary source for the notice information to be published. Instructions that are on the email body or covering letter that contradicts the notice form content will not be considered. The information submitted on the electronic *Adobe* form will be published as-is.
10. To avoid duplicated publication of the same notice and double billing, Please submit your notice **ONLY ONCE**.
11. Notices brought to **GPW** by “walk-in” customers on electronic media can only be submitted in *Adobe* electronic form format. All “walk-in” customers with notices that are not on electronic *Adobe* forms will be routed to the Contact Centre where they will be assisted to complete the forms in the required format.
12. Should a customer submit a bulk submission of hard copy notices delivered by a messenger on behalf of any organisation e.g. newspaper publisher, the messenger will be referred back to the sender as the submission does not adhere to the submission rules.

QUOTATIONS

13. Quotations are valid until the next tariff change.
 - 13.1. **Take note:** **GPW**'s annual tariff increase takes place on **1 April** therefore any quotations issued, accepted and submitted for publication up to **31 March** will keep the old tariff. For notices to be published from 1 April, a quotation must be obtained from **GPW** with the new tariffs. Where a tariff increase is implemented during the year, **GPW** endeavours to provide customers with 30 days' notice of such changes.
14. Each quotation has a unique number.
15. Form Content notices must be emailed to the *eGazette* Contact Centre for a quotation.
 - 15.1. The *Adobe* form supplied is uploaded by the Contact Centre Agent and the system automatically calculates the cost of your notice based on the layout/format of the content supplied.
 - 15.2. It is critical that these *Adobe* Forms are completed correctly and adhere to the guidelines as stipulated by **GPW**.
16. **APPLICABLE ONLY TO GPW ACCOUNT HOLDERS:**
 - 16.1. **GPW** Account Customers must provide a valid **GPW** account number to obtain a quotation.
 - 16.2. Accounts for **GPW** account customers **must** be active with sufficient credit to transact with **GPW** to submit notices.
 - 16.2.1. If you are unsure about or need to resolve the status of your account, please contact the **GPW** Finance Department prior to submitting your notices. (If the account status is not resolved prior to submission of your notice, the notice will be failed during the process).
17. **APPLICABLE ONLY TO CASH CUSTOMERS:**
 - 17.1. Cash customers doing **bulk payments** must use a **single email address** in order to use the **same proof of payment** for submitting multiple notices.
18. The responsibility lies with you, the customer, to ensure that the payment made for your notice(s) to be published is sufficient to cover the cost of the notice(s).
19. Each quotation will be associated with one proof of payment / purchase order / cash receipt.
 - 19.1. This means that **the quotation number can only be used once to make a payment.**

GOVERNMENT PRINTING WORKS - BUSINESS RULES**COPY (SEPARATE NOTICE CONTENT DOCUMENT)**

20. Where the copy is part of a separate attachment document for Z95, Z95Prov and TForm03
- 20.1. Copy of notices must be supplied in a separate document and may not constitute part of any covering letter, purchase order, proof of payment or other attached documents.
- The content document should contain only one notice. (You may include the different translations of the same notice in the same document).
- 20.2. The notice should be set on an A4 page, with margins and fonts set as follows:
- Page size = A4 Portrait with page margins: Top = 40mm, LH/RH = 16mm, Bottom = 40mm;
Use font size: Arial or Helvetica 10pt with 11pt line spacing;
- Page size = A4 Landscape with page margins: Top = 16mm, LH/RH = 40mm, Bottom = 16mm;
Use font size: Arial or Helvetica 10pt with 11pt line spacing;

CANCELLATIONS

21. Cancellation of notice submissions are accepted by **GPW** according to the deadlines stated in the table above in point 2. Non-compliance to these deadlines will result in your request being failed. Please pay special attention to the different deadlines for each gazette. Please note that any notices cancelled after the cancellation deadline will be published and charged at full cost.
22. Requests for cancellation must be sent by the original sender of the notice and must be accompanied by the relevant notice reference number (N-) in the email body.

AMENDMENTS TO NOTICES

23. With effect from 01 October 2015, **GPW** will not longer accept amendments to notices. The cancellation process will need to be followed according to the deadline and a new notice submitted thereafter for the next available publication date.

REJECTIONS

24. All notices not meeting the submission rules will be rejected to the customer to be corrected and resubmitted. Assistance will be available through the Contact Centre should help be required when completing the forms. (012-748 6200 or email info.egazette@gpw.gov.za). Reasons for rejections include the following:
- 24.1. Incorrectly completed forms and notices submitted in the wrong format, will be rejected.
- 24.2. Any notice submissions not on the correct *Adobe* electronic form, will be rejected.
- 24.3. Any notice submissions not accompanied by the proof of payment / purchase order will be rejected and the notice will not be processed.
- 24.4. Any submissions or re-submissions that miss the submission cut-off times will be rejected to the customer. The Notice needs to be re-submitted with a new publication date.

GOVERNMENT PRINTING WORKS - BUSINESS RULES**APPROVAL OF NOTICES**

25. Any notices other than legal notices are subject to the approval of the Government Printer, who may refuse acceptance or further publication of any notice.
26. No amendments will be accepted in respect to separate notice content that was sent with a Z95 or Z95Prov notice submissions. The copy of notice in layout format (previously known as proof-out) is only provided where requested, for Advertiser to see the notice in final Gazette layout. Should they find that the information submitted was incorrect, they should request for a notice cancellation and resubmit the corrected notice, subject to standard submission deadlines. The cancellation is also subject to the stages in the publishing process, i.e. If cancellation is received when production (printing process) has commenced, then the notice cannot be cancelled.

GOVERNMENT PRINTER INDEMNIFIED AGAINST LIABILITY

27. The Government Printer will assume no liability in respect of—
 - 27.1. any delay in the publication of a notice or publication of such notice on any date other than that stipulated by the advertiser;
 - 27.2. erroneous classification of a notice, or the placement of such notice in any section or under any heading other than the section or heading stipulated by the advertiser;
 - 27.3. any editing, revision, omission, typographical errors or errors resulting from faint or indistinct copy.

LIABILITY OF ADVERTISER

28. Advertisers will be held liable for any compensation and costs arising from any action which may be instituted against the Government Printer in consequence of the publication of any notice.

CUSTOMER INQUIRIES

Many of our customers request immediate feedback/confirmation of notice placement in the gazette from our Contact Centre once they have submitted their notice – While **GPW** deems it one of their highest priorities and responsibilities to provide customers with this requested feedback and the best service at all times, we are only able to do so once we have started processing your notice submission.

GPW has a 2-working day turnaround time for processing notices received according to the business rules and deadline submissions.

Please keep this in mind when making inquiries about your notice submission at the Contact Centre.

29. Requests for information, quotations and inquiries must be sent to the Contact Centre **ONLY**.
30. Requests for Quotations (RFQs) should be received by the Contact Centre at least **2 working days** before the submission deadline for that specific publication.

GOVERNMENT PRINTING WORKS - BUSINESS RULES

PAYMENT OF COST

31. The Request for Quotation for placement of the notice should be sent to the Gazette Contact Centre as indicated above, prior to submission of notice for advertising.
32. Payment should then be made, or Purchase Order prepared based on the received quotation, prior to the submission of the notice for advertising as these documents i.e. proof of payment or Purchase order will be required as part of the notice submission, as indicated earlier.
33. Every proof of payment must have a valid **GPW** quotation number as a reference on the proof of payment document.
34. Where there is any doubt about the cost of publication of a notice, and in the case of copy, an enquiry, accompanied by the relevant copy, should be addressed to the Gazette Contact Centre, **Government Printing Works**, Private Bag X85, Pretoria, 0001 email: info.egazette@gpw.gov.za before publication.
35. Overpayment resulting from miscalculation on the part of the advertiser of the cost of publication of a notice will not be refunded, unless the advertiser furnishes adequate reasons why such miscalculation occurred. In the event of underpayments, the difference will be recovered from the advertiser, and future notice(s) will not be published until such time as the full cost of such publication has been duly paid in cash or electronic funds transfer into the **Government Printing Works** banking account.
36. In the event of a notice being cancelled, a refund will be made only if no cost regarding the placing of the notice has been incurred by the **Government Printing Works**.
37. The **Government Printing Works** reserves the right to levy an additional charge in cases where notices, the cost of which has been calculated in accordance with the List of Fixed Tariff Rates, are subsequently found to be excessively lengthy or to contain overmuch or complicated tabulation.

PROOF OF PUBLICATION

38. Copies of any of the *Government Gazette* or *Provincial Gazette* can be downloaded from the **Government Printing Works** website www.gpwonline.co.za free of charge, should a proof of publication be required.
39. Printed copies may be ordered from the Publications department at the ruling price. The **Government Printing Works** will assume no liability for any failure to post or for any delay in despatching of such *Government Gazette*(s)

GOVERNMENT PRINTING WORKS CONTACT INFORMATION

Physical Address:
Government Printing Works

149 Bosman Street

Pretoria

Postal Address:

Private Bag X85

Pretoria

0001

GPW Banking Details:
Bank: ABSA Bosman Street

Account No.: 405 7114 016

Branch Code: 632-005

For Gazette and Notice submissions: Gazette Submissions:

For queries and quotations, contact: Gazette Contact Centre:

E-mail: submit.egazette@gpw.gov.za
E-mail: info.egazette@gpw.gov.za
Tel: 012-748 6200

Contact person for subscribers: Mrs M. Toka:

E-mail: subscriptions@gpw.gov.za
Tel: 012-748-6066 / 6060 / 6058

Fax: 012-323-9574

GOVERNMENT NOTICES • GOEWERMENTSKENNISGEWINGS

DEPARTMENT OF LABOUR

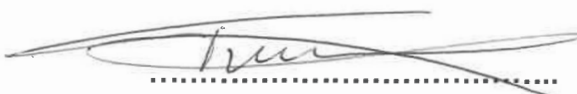
NO. R. 1482

15 NOVEMBER 2019

LABOUR RELATIONS ACT, 1995

**BARGAINING COUNCIL FOR THE CIVIL ENGINEERING INDUSTRY (BCCEI):
EXTENSION OF ADMINISTRATION EXPENSES AND REGISTRATION
COLLECTIVE AMENDING AGREEMENT TO NON-PARTIES**

I, **THEMBELANI WALTERMADE NXESI**, Minister of Employment and Labour hereby in terms of section 32(2) of the Labour Relations Act, 1995, declare that the Collective Agreement which appears in the Schedule hereto, which was concluded in the **Bargaining Council for the Civil Engineering Industry (BCCEI)** and is binding in terms of section 31 of the Labour Relations Act, 1995, on the parties which concluded the Collective Agreement, shall be binding on the other employers and employees in that Industry, with effect from the second Monday after the date of publication of this notice and for the period ending 31 August 2023.



MR TW NXESI, MP

MINISTER OF EMPLOYMENT AND LABOUR

DATE: 31/10/2019

UMNYANGO WEZEMISEBENZI NEZABASEBENZI

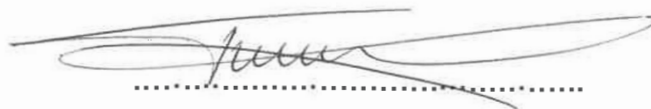
R.....

USUKU:

UMTHETHO WOBUDLELWANO KWEZABASEBENZI KA - 1995

UMKHANDLU WOKUXOXISANA PHAKATHI KWABAQASHI NABASEBENZI EMBONINI YONJINIYELA BEZOKWAKHIWA KWEMIGWAQO NAMABHULOHO: UKWELULWA KWESIVUMELWANO SOKUBHALISA NEZINDLEKO ZOKUPHATHA UMSEBENZI ESICHIBIYELAYO, SELULELWA KULABO ABANGEYONA INGXYENYE YESIVUMELWANO

Mina, **THEMBELANI WALTERMADE NXESI**, onguNgqongqoshe Wezemisebenzi nezabasebenzi, ngokwesigaba 32(2) soMthetho Wobudlelwano Kwezabasebenzi, ka-1995, ngazisa ukuthi isivumelwano sabaqashi nabasebenzi esitholakala kwiSheduli yesiNgisi exhunywe lapha, esenziwa **uMkhandlu Wokuxoxisana phakathi Kwabaqashi Nabasebenzi Embonini Yonjiniyela Bezokwaxhiwa Kwemigwaqo Namabhuloho**, futhi ngokwesigaba 31 soMthetho Wobudlelwano Kwezabasebenzi, ka-1995 esibopha labo abasenzayo, sizobopha bonke abanye abaqashi nabasebenzi kuleyomboni, kusukela ngomSombuluko wesibili emva kokushicilelwa kwalesisaziso kuze kube mhlaka 31 kuNcwaba 2023.

**MNUMZANE TW NXESI, MP****UNGGONGQOSHE WEZEMISEBENZI NEZABASEBENZI**

USUKU: 31/10/2019

SCHEDULE**BARGAINING COUNCIL FOR THE CIVIL ENGINEERING INDUSTRY
REGISTRATION AND ADMINISTRATION EXPENSES COLLECTIVE AGREEMENT****PREAMBLE**

This collective agreement was concluded between the members of the employer organisations and the members of the trade unions which concluded and signed this agreement in the Bargaining Council.

The Minister of Labour has extended this collective agreement to all the employers and employees in the Industry that are not signatories of this agreement. This has the effect of making the collective agreement applicable to all employers and employees in the Industry.

The following employer organisations and trade unions signed the collective agreement on behalf of their members:

Building, Construction and Allied Workers Union (BCAWU)

Consolidated Employers Organisation (CEO)

National Union of Mineworkers (NUM)

South African Forum of Civil Engineering Contractors (SAFCEC)

(hereinafter referred to as the “employers” or the “trade unions”), of the other part, being the parties to the Bargaining Council for the Civil Engineering Industry), to amend the Agreement published under Government Notice No. R.1106 of 19 October 2018.

T. G. M. J. V. 1

**PART I:
SCOPE AND APPLICATION OF THE AGREEMENT**

1. Application of Agreement

- 1.1. This Agreement binds:
- (i) All employers in the civil engineering sector that are members of the employers' organisations that are party to this agreement; and
 - (ii) All employees in the bargaining unit, employed in the civil engineering sector who are members of the trade unions that are party to this Agreement
- 1.2. This Agreement must be applied in the Bargaining Council for the Civil Engineering Industry throughout the Republic of South Africa.
- 1.3. This agreement applies to learners, only insofar as it is not inconsistent with the Skills Development Act, 1998.
- 1.4. This agreement is binding in terms of Section 31 of the Labour Relations Act, 66 of 1995, on the parties which concluded the Conditions of Employment Collective Agreement and shall become binding on the other employers and employees in the industry upon extension by the Honourable Minister of Labour in terms of Section 32, from a date determined by the Minister.

2. Scope of the Civil Engineering Industry

2.1 'Industry' means the Civil Engineering Industry in which employers (other than local authorities) and employees are associated for the purpose of carrying out work of a civil engineering character normally associated with the civil engineering sector and includes such work in connection with any one or more of the following activities:

- a. The construction of aerodrome runways or aprons; aqueducts; bins or bunkers; bridges; cable ducts; caissons; rafts or other marine structures; canals; cooling, water or other towers; dams; docks; harbours; quays or wharves; earthworks; encasements; housing or supports for plant, machinery or equipment; factory or works chimneys; filter beds; land or sea defence works; mine headgear/s; pipelines; piers; railways; reservoirs; river works; roads or streets; sewerage works; sewers; shafts or tunnels; silos; sports fields or grounds; swimming baths; viaducts or water treatment plants; and/or
- b. Excavation and bulk earthworks; bush clearing and de-stumping; topsoil stripping; drilling and blasting; preparation of bench areas, drilling pre-split holes and blasting and/or cast blasting; secondary blasting; loading, hauling and dumping of mineralized and/or waste material to waste dumps or processing plant feed (ROM Pad) stockpiles; production dozing of top soil, inter burden or waste material; pumping and dewatering of storm and/or contaminated water; construction and maintenance of access and haul roads, ramps, waste and processing plant feed (ROM Pad) areas, safety beams, high walls; benches, storm water systems, catch drains, bund walls, surge dams; trimming, scaling or chain dragging of batters, heap-leach pads, tailings dams; dust suppression of loading areas, haul roads and dumping areas; rehabilitation of earth work areas or waste dumps; topsoil spreading, hydro-seeding and watering and/or
- c. Excavation work or the construction of foundations, lift shafts, piling, retaining walls, stairwells, underground parking garages or other underground structures; and/or

2
h.v.
T. G. M.

- d. The asphaltting, concreting, gravelling, levelling or paving of parking areas, pavements, roads, streets, aerodrome runways or aprons, premises or sites

and further includes: -

- e. Any work of a similar nature or work incidental to or consequent on any of the aforesaid activities; and/or
- f. The making, repairing, checking or overhauling of tools, vehicles, plant, machinery or equipment in workshops which are conducted by employers engaged in any of the activities referred to in sub - clauses (a) to (f) inclusive;

but excluding: -

- i) Work in connection with any one or more of the activities specified in definition (iii) where such work, when undertaken in connection with the erection of structures having the general character of buildings and irrespective of whether or not such work involves problems of a civil engineering character, is carried out by the employers erecting such structures;
- ii) Work in connection with any one or more of the activities specified in definition (iii) when undertaken as an incidental operation in connection with the erection of structures having the general character of buildings or when undertaken by the employers erecting such structures;
- iii) Any work falling within the scope of any other industry, and
- iv) The Mining Industry which is defined as the industry where employers and employees are associated for the purpose, directly or indirectly, for the winning, extracting, processing and refining of a mineral in, on or under the earth or water or from any residue stockpile or residue deposit.

3. Definitions and expressions

- 3.1 Any expression used in this Agreement which is defined in the Basic Conditions of Employment Act, 1997, shall have the same meaning as in that Act, and any reference to an Act shall include any amendment to such Act, and unless the contrary intention appears, words importing the masculine gender shall include females; further, unless inconsistent with the context-

'Act' means the Labour Relations Act, 1995 (Act No.66 of 1995);

'Bargaining Unit' shall mean all the employees falling within the Task Grades 1 to 9 as per Appendix D-Part 1 to the Wage and Task Schedule Agreement.

'BCCEI' means the Bargaining Council for the Civil Engineering Industry

'Cross border work' means work performed outside the borders of the Republic of South Africa.

'Employee' means –

- (i) Any person, excluding an independent contractor, who works for another person and who receives, or is entitled to receive, any remuneration; and

3
T.G.M. L.V.

- (ii) Any other person who in any manner assists in carrying on or conducting the business of an employer.

'Employer' means any person whosoever, including a temporary employment service as defined in clause 198(1) of the Act, who employs or provides work for any person and remunerates or expressly or tacitly undertakes to remunerate him or who permits any person whosoever in any manner to assist him in the carrying on or conducting of his business;

'Hourly-rated employee' means an employee whose remuneration is calculated on an hourly basis notwithstanding the frequency of the payment thereof, and who is not a salaried employee;

'Law' includes the common law;

'Limited duration contracts of employment' means an employer may employ an employee for a specified, limited contract period in terms of an activity or duration.

'Local Authority' means a 'Municipality' as defined in the Local Government: Municipal Systems Act; 2000;

'Overtime' means the time that an employee works during a day, or a week, in excess of the ordinary hours of work prescribed for such employee in Clause (2), Chapter I of the 'BCCEI Conditions of Employment Agreement', but does not include work performed on a Sunday or a paid public holiday;

'Paid public holiday' means any day that is a public holiday in terms of the Public Holiday Act, 1994 (Act No. 36 of 1994);

'Pay' means payment of remuneration in cash, electronic transfer, by cheque or by other means;

'Permanent employee' means any employee who is not an employee employed in terms of a limited duration contract;

'Piece-work' means any system under which an employee's remuneration is based on the quantity of work done;

'Public holiday' means New Year's Day, Human Rights Day, Good Friday, Family Day, Freedom Day, Workers' Day, Youth Day, National Women's Day, Heritage Day, Day of Reconciliation, Christmas Day and Day of Goodwill, as specified in Schedule 1 of the Public Holidays Act, 1994 (Act 36 of 1994): Provided that whenever any public holiday falls on a Sunday, the following Monday shall be a public holiday;

'Salaried employee' means an employee whose remuneration is calculated on a monthly basis notwithstanding the number of hours or days actually worked, who performs work generally understood to be that of a salaried employee, and who is not a "hourly-rated employee";

'Short-time' means a temporary reduction in the number of ordinary hours of work owing to vagaries of the weather, a slackness of trade, a shortage of materials, a breakdown of plant or machinery or a breakdown or threatened breakdown of structures, or any unforeseen contingencies and/or circumstances beyond the control of the employer or a temporary reduction in the number of ordinary hours of work owing to riots, unrest or acts of terrorism or disorder, which directly affect the employer's ability to provide work;

'Wage' means the amount of money payable to an employee in respect of the ordinary hours of work. Provided that -

4
T. G. M. P. A. V.

- (i) if an employer regularly pays an employee in respect of such ordinary hours of work an amount higher than that prescribed in Clause (1) found in Chapter V of the BCCEI 'Conditions of Employment Agreement', it means such higher amount;
- (ii) the first proviso shall not be so construed as to refer to or include any remuneration which an employee who is employed on any basis provided for in Clause (3) in Chapter V of the BCCEI 'Conditions of Employment', receives over and above the amount which the employee would have received had he or she not been employed on such a basis

3. Period of operation of the agreement

This Agreement shall come into operation on such date as may be fixed by the Minister of Labour in terms of section 32 of the Labour Relations Act, 1995, and shall remain in force until **31 August 2023**.

4. Objective

The objective of this Agreement is to provide for the expenses of the Council which shall be vested in and administered by the Council, and for the registration of all employers engaged in the industry.

PART IV: CLAUSE AMENDMENTS

Amend clause 3.1, 3.2 and 3.3 as follows: -

3. Exemptions

3.1 Any person bound by this Agreement may apply to the BCCEI for an exemption from any provision of this agreement.

3.2 Any person affected by the BCCEI decision on the application may lodge an appeal against the decision to the Independent Appeal Board.

3.3 Applications for Exemptions and/or Appeals must be dealt with in terms of the guidelines set out in the Exemptions Collective Agreement.

APPENDICES TO AGREEMENT

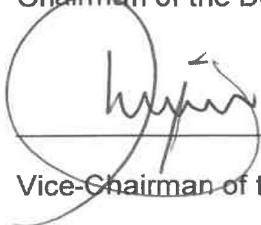
Remove/Delete "Appendix A" from collective agreement

5
T.G.M
F.V

SIGNED AT BEDFORDMEN....., for and on behalf of the parties, this day of 15/08/.....
2019.



Chairman of the BCCEI



Vice-Chairman of the BCCEI



General Secretary of the BCCEI

DEPARTMENT OF LABOUR

NO. R. 1483

15 NOVEMBER 2019

**OCCUPATIONAL HEALTH AND SAFETY ACT (ACT NO. 85 OF 1993)
DRAFT MAJOR HAZARD INSTALLATION REGULATIONS****INVITATION OF PUBLIC COMMENTS ON DRAFT MAJOR HAZARD
INSTALLATION REGULATIONS**

I, Thembelani Waltermade Nxesi, Minister of Employment and Labour, hereby give notice that, I, intend in terms of section 43 (1) of the Occupational Health and Safety Act, (no. 85 of 1993) give an approval to receive public comment on the schedule of these Regulations.

The electronic copy of the draft Major Hazard Installation Regulations is available on the website at www.labour.gov.za.

Affected and interested parties or persons are invited to submit comments on the draft regulations in writing (Annexure 1) within 90 days from the date of the publication of this notice.

All representations and comments must be sent to the Director-General of the Department of Employment and Labour:

By hand: The Department of Employment and Labour
Laboria House
215 Francis Baard Street, Pretoria CBD, 0001

By post: The Director-General
The Department of Employment and Labour – Attention: Rachel
Aphane
Private Bag X117, Pretoria, 0001

By fax: 012 309 4763

By mail: rachel.aphane@labour.gov.za or magezi.chauke@labour.gov.za or
derick.classe@labour.gov.za



**MR TW NXESI, MP
MINISTER OF EMPLOYMENT AND LABOUR**

DATE: 21/10/2019

Annexure 1

Proposed representations and comments format for DRAFT Major Hazard Installation Regulations as proposed.

1. Contact Details of the person or an organization submitting a comment:

Name and Surname				Phone Number			
Company Name				Email			
mark with an X							
<input type="checkbox"/>	Government	<input type="checkbox"/>	Affected Party	<input type="checkbox"/>	Trade union	<input type="checkbox"/>	Interested Party
<input type="checkbox"/>		<input type="checkbox"/>		<input type="checkbox"/>		<input type="checkbox"/>	Local Authority
<input type="checkbox"/>		<input type="checkbox"/>		<input type="checkbox"/>		<input type="checkbox"/>	Other
		Indicate the sector:					

2. Representation or comment:

No.	Regulation	Sub regulation	Comment	Proposal	Motivation	Does this proposal affect other Regulation (s) if yes which one(s)	How?
e.g.							
1	2	2(1)	There is no prescribed quantities	Develop prescribed quantities	Benchmark on the international available quantities and tone to nurture SA market (reference: COMAH 2015)	(8) General Machinery Regulations & Notifiable substances	Scrap the GMR quantities and use the developed quantities for MHI industry

DRAFT MAJOR HAZARD INSTALLATION REGULATIONS: 2019 RE: FOR PUBLIC COMMENTS

Legend:

Normal font means current requirements

Italics font means inserted new requirements

Definitions

1. In these Regulations any word or expression to which a meaning has been assigned in the Act has that meaning, and unless the context otherwise indicates—

“change” means where there has been a change —

- (a) *in the methods, equipment or procedures in use, handling or processing of equipment in a MHI that may increase the MHI's risk profile;*
- (b) *or significant increase or decrease in the quantity of substances contemplated in Annexure MHI A1 and A2 that resulted in the MHI being classified as a major hazard establishment where a—*
 - (i) *low hazard establishment becomes a medium hazard establishment or vice versa; or*
 - (ii) *medium hazard establishment becomes a high hazard establishment and vice versa;*
 - (iii) *low hazard establishment becomes a high hazard establishment and vice versa;*
- (c) *when an emergency plan was brought into action for a major incident;*

“designated authorities” include the South African Police Service and the Department of Health, but are not limited to these organisations;

“duty holder” means any—

- (a) *(MHI) employer or self-employed person or user or pipeline who is in control of an establishment or will be in control of an establishment to be constructed or operated; and*
- (b) *supplier of hazardous substances;*

“establishment” means the whole area under the control of the same duty holder where Annexure MHI A1, A2 and A3 substances are present in one or more;

“emergency plan” means a plan contemplated in regulation 15;

“existing establishment” means an establishment where substances are present in quantities listed in Annexure MHI A1, A2 and A3 or otherwise classified by AIA on the date of the promulgation of these Regulations;

“high hazard establishment” means—

- (a) an establishment where Annexure MHI A1 & A2 substances are present in quantities equal to or in excess of the quantities listed in column 4 of Annexure MHI A1 & A2; and
- (b) major accident hazard pipelines contemplated in Annexure MHI 1 A3;

“impact zone” means the zone where any other installations or neighbours are at risk due to an incident at a MHI;

“interested or affected party” means a person, group of persons or organisations interested in or affected by a MHI or an establishment and an organ of state that has jurisdiction over a MHI or an establishment;

“low hazard establishment” means an establishment where Annexure MHI A1 and A2 substances are present and the quantity is equal to or exceeds the quantity in column 2 but less than quantities listed in column 3, of Annexure MHI A1 or A2;

“licence to operate” means a licence contemplated in regulation 13;

“major incident prevention policy” means a policy contemplated in regulation 11;

“medium hazard establishment” means an establishment where Annexure MHI A1 and A2 substances are present and the quantity is equal to or exceeds the quantity in column 3, but less than the quantity in column 4 of Annexure MHI A1 or A2;

“MHI” means a major hazard installation;

“near miss” means an unforeseen event involving one or more hazardous substances which, but for mitigating effects, actions or systems, could have escalated to a major incident;

“new establishment” means an establishment which after the date of entry into force of these Regulations is—

- (a) newly erected
- (b) declared to be an MHI ; or
- (c) changed from—
 - (i) a low hazard establishment to a medium hazard establishment or vice versa; or
 - (ii) a medium hazard establishment to a high hazard establishment and vice versa; or
 - (iii) a low hazard establishment to a high hazard establishment and vice versa;

“process safety management system” means a system as contemplated in regulation 11(3)(h);

“responsible person” means a person designated by duty holder in writing in full time capacity in respect of every premises on which an MHI is operated;

“risk assessment” means the process contemplated in regulation 5;
“rolling stock” means a locomotive, coach, railway carriage, truck, wagon or similar contrivance used for the purpose of transporting persons, goods or any other thing, and which can run on a railway;

“safety report” means a report contemplated in regulation 12;

“SANS 1461:2018” South African National Standard: Major Hazard Installations-Risk Assessments;

“SANS 1514:2018” South African National Standard: Major Hazard Installations-Emergency Preparedness Plan;

SANS 10228” means South African National Standard: The identification and classification of dangerous goods for transport;

“the Act” means the Occupational Health and Safety Act, 1993 (Act No. 85 of 1993);

“transit” includes a time or place in which rolling stock may be between planned points of departure and arrival.

2. Scope of Application

- (1) These Regulations apply to—
 - (a) MHI duty holders who have in their establishments the quantity of substances listed in Annexure MHI A1 or A2 or A3;
 - (b) high hazard establishments and MHI pipelines; or
 - (c) classified by an approved inspection authority.
- (2) These Regulations, excluding regulations 12 and 13, apply to medium hazard establishments.
- (3) These Regulations, excluding regulations 11, 12 and 13, apply to low hazard establishments.
- (4) Regulations 4, 9 and 10 apply to local authorities.
- (5) Regulations 10 and 15 apply to approved inspection authorities.
- (6) These Regulations do not apply to—
 - (a) nuclear installations registered in terms of the Nuclear Energy Act, 1993 (Act No. 131 of 1993);
 - (b) facilities for the manufacturing, handling, processing and storage of explosives;
 - (c) Annexure MHI 1 substances in transit and their inter-mediate temporary storage in the course of transit.

3. Management of major hazard installation

- (1) *Every duty holder must before—*
- (a) *erecting a new establishment;*
 - (b) *converting any installation into an establishment: or*
 - (c) *changing an establishment,*

obtain written approval from the relevant local authority in terms of regulation 14(1).

(2) *The duty holder must, subject to this regulation and in order to ensure that the provisions of the Act and these Regulations in relation to an establishment (s) are complied with, in writing designate a responsible person in full-time capacity and under his or her direct control in respect of every establishment.*

(3) *Notwithstanding the provisions of sub regulation (2) the chief inspector may, subject to conditions he or she may impose on the duty holder of a high hazard establishment, require in writing that such designated person holds a relevant qualification.*

(4) *A duty holder may in writing appoint one or more deputies to assist the person appointed in terms of sub regulation (2), and shall clearly define the duties of such deputies without exempting the responsible person designated in sub regulation (2) from ensuring that the duties are performed.*

(5) *If in the opinion of the chief inspector circumstances require the appointment of one or more deputies as contemplated in sub regulation (4) the chief inspector may instruct the duty holder to appoint a specified number of deputies.*

(6) *Every duty holder must consult on a regular basis with their counterparts of other MHI's within their potential impact zone to consider the possible impact and reflect on the domino effect of establishments at any of the MHI's: Provided that the duty holder shall inform those neighbouring establishments of any changes made to the establishments.*

(7) *The duty holder must keep a record of all consultations contemplated in sub regulation (6).*

4. Notification of establishment

- (1) *A duty holder must notify the chief inspector, local authority and the provincial director on Form A of—*
- (a) *erection of MHI; or*
 - (b) *conversion of an existing installation into an MHI, prior to such conversion.*

(2) A duty holder must notify the chief inspector, local authority and the provincial director within 24 months, after the entry into force of these Regulations of the existence of his or her major hazard establishment.

(3) The notification must be accompanied by—

- (a) proof of permission or approval from the relevant local authority on land use for MHI purposes, indicating the exact location of the site;
- (b) a letter of designation contemplated in regulation 3(2) and the designated person's competency profile;
- (c) an inventory list and safety data sheets of all substances that resulted in the installation being classified as a major hazard establishment;
- (d) a statement containing the envisaged maximum quantity of substances that may be present at the establishment at any one time;
- (g) the most recent risk assessment report as contemplated in regulation 10;
- (h) a site map showing the establishment location and indicating developments in the vicinity of the major hazard establishment;
- (i) a substance location plan drawn to a scale of not less than 1 to 2,500 which identifies the area on the site where the substances will be stored, handled, used or processed, showing the location of the major items of plant used in such activities;
- (j) information regarding the neighbours within the impact zone including—
 - (i) sites that are likely to be affected by a major incident and their exact distances from the establishment;
 - (ii) known future development that might increase the risk or consequences of a major incident; and
 - (iii) other major hazard establishments and their exact distances from the establishment;
- (k) proof of the publication of the advertisement contemplated in sub regulation (4);
- (l) where applicable, the latest version of the major incident prevention policy.

(4) A duty holder who erects a MHI; or convert an existing installation into an MHI, must place an advertisement—

- (a) in English and predominant language in at least one newspaper serving the communities in the vicinity of the MHI; and
- (b) by way of notices posted within those communities.

Provided that the advertisement shall contain at least:

- (a) name and location of the major hazard establishment;
- (b) the name, title and telephone number of the contact person from whom further information can be obtained;
- (c) nature of the substances and the major incident that may occur; and

(d) *time and place where a risk assessment report will be explained and may be viewed.*

(5) Any interested or affected party may make representations in writing to the relevant local *authority* and the chief inspector, within 60 days after the publication if that *MHI* is not acceptable and pose a risk to their health and safety.

5. Registration of MHI

(1) *After considering an application for notification, the Chief Inspector may —*

(a) *on payment of the appropriate registration fee specified in Annexure E:*

(i) *register the premises as an MHI subject to such conditions as the Chief Inspector thinks fit to impose;*

(ii) *enter in the register, particulars pertaining to the name of MHI, the premises address and other details as the Chief Inspector thinks fit; and*

(iii) *issue to the duty holder with a certificate of registration; or*

(iv) *refuse to register the MHI*

(2) *Where the Chief Inspector refuses to register the MHI in respect of which an application for notification has been made, the Chief Inspector must notify the duty holder of the reasons for the refusal.*

6. Duration of registration and renewal

(1) *Subject to regulation 5(1), the registration is valid for a period of 5 years or for such other period as the Chief Inspector may determine in a particular case, unless the registration is earlier revoked, suspended or cancelled in accordance with these Regulations.*

(2) *The Chief Inspector may, on the re-notification by the duty holder to renew the registration —*

(a) *renew the registration on payment of the appropriate renewal fee specified; or*

(b) *refuse to renew the registration.*

(3) *An application to renew the registration must be made not later than 6 months before the date of expiry of the registration, unless otherwise allowed by the Chief Inspector in any particular case.*

7. Alteration in relation to occupation, use or particulars of registered MHI

(1) *The duty holder must —*

(a) *where there is an alteration in any of the particulars in the MHI*

register, furnish particulars of the alteration to the Chief Inspector in the prescribed form and manner that the Chief Inspector requires, not later than 14 days after the change occurs; or

- (b) where an alteration is to be made to the type of work carried out, inform the Chief Inspector of the proposed change and provide the Chief Inspector with the relevant documents pertaining to the change and such other information as the Chief Inspector may require, not less than 30 days before the change is to be made.

8. Revocation, suspension or cancellation of registration

(1) The Chief Inspector may direct the duty holder to comply with the requirements that the Chief Inspector specified in the direction notice, if the premises of the registered MHI become unfit for occupation or use as an MHI because of a —

- (a) failure by the duty holder of the registered MHI to ensure that the works carried out are done so safely;
- (b) change is effected on the MHI or
- (c) fact or circumstance not present when the MHI was registered.

(2) The Chief inspector may revoke the registration if —

- (a) the duty holder to whom a direction notice under sub regulation 23 is given fails to comply with the direction notice;
- (b) the Chief Inspector is satisfied that the duty holder has contravened a condition of registration; or
- (c) the Chief Inspector is satisfied that the duty holder has ceased occupation or use of the premises as an MHI.

(3) However, the Chief Inspector may, in lieu of revoking the registration under sub regulation (2), suspend the registration for such period as the Chief Inspector thinks fit.

(4) The Chief Inspector may cancel the registration on the application of the duty holder.

(5) The Chief Inspector must, before revoking or suspending the registration under paragraph (3) or (4), give to the duty holder a —

- (a) notice of the Chief Inspector's intention to revoke or suspend the registration; and
- (b) a reasonable opportunity to submit reasons as to why the registration should not be revoked or suspended.

(6) *Where the Chief Inspector has decided, under this regulation, to revoke or suspend the registration, the Chief Inspector must give notice of the decision to the duty holder.*

(7) *The revocation or suspension of the registration of sub regulations (3) or (4) does not take effect —*

(a) *until the expiration of 21 days after the date on which notice of the Chief Inspector's decision to revoke or suspend the registration was given to the duty holder under sub regulation (6); or*

(b) *where an appeal against the decision is made to the Minister under section 35, until the appeal has been determined or withdrawn.*

(8) *The Chief Inspector may, at any time, and for any reason that are considered sufficient, shorten the period for which the registration is suspended.*

9. Sharing of information with the other MHIs

(1) *The Chief inspector may designate one or more registered MHI in a particular location as a group of MHIs, and such MHIs must share information including:*

(a) *name and address of the MHI*

(b) *responsible person for that MHI*

(c) *inventory list and common or generic names of the substances present or likely to be present, which could give rise to a major accident*

(d) *nature of the major incident*

(e) *information on how affected workplaces will be alerted in the event of a major accident*

10. Risk assessment

(1) *A duty holder shall after consultation with the relevant health and safety representative or health and safety committee, ensure that an approved inspection authority, who is competent to express an opinion as to the risks associated with the category of the major hazard establishment, carries out a MHI risk assessment in accordance with SANS 1461 (as amended) at intervals not exceeding 5 years or when there is change in the establishment.*

(2) *Every duty holder must—*

(a) *inform the relevant health and safety representative or health and safety committee, in writing, of the arrangements made for the MHI risk assessment contemplated in sub regulation (1); and*

(b) *ensure that the results of the assessment are made available to the relevant health and safety representative or committee who may comment thereon.*

(3) Where the *MHI* risk assessment has been reviewed or revised without change to the establishment, the duty holder must submit an updated copy of the *MHI* risk assessment report to the chief inspector, the provincial director and the relevant local authority within 60 days.

(4) Every *duty holder* must ensure that the most recent *MHI* risk assessment report is available on site for inspection by the chief inspector or local authority and for scrutiny by any interested person or affected person that may be affected by the activities of a *major hazard establishment* at a time and place and in a manner agreed upon between the parties.

11. Major incident prevention policy

(1) *The duty holder must prepare a major MHI incident prevention policy within a reasonable period prior to:*

- (a) *the construction and building of the establishment; or*
- (b) *change in the establishment.*

(2) *Every duty holder must within 36 months after the entry into force of these Regulations, prepare a major incident prevention policy.*

(3) *The policy referred to in sub regulation (1) must provide for a high level of protection for persons and the environment and must include at least —*

- (a) *the aims and objectives of the policy;*
- (b) *the roles and responsibilities of the establishment management;*
- (c) *process safety performance indicators;*
- (d) *commitments towards the maintenance and continual improvement of the control measures of major hazards;*
- (e) *the aims and objectives of the—*
 - (i) *emergency preparedness plan;*
 - (ii) *evacuation plan regarding the—*
 - (aa) *speedy evacuation of persons;*
 - (bb) *roll call after evacuation;*
 - (cc) *other persons to be accounted for; and*
 - (dd) *the plant shut down;*
- (f) *reasons for revision;*
- (g) *dealing with contractors performing work on the site; and*
- (h) *sufficient particulars for the establishment of a process safety management system which takes account of the principles specified in Annexure MHI B.*

(4) *A duty holder must review the major incident prevention policy of an installation every five years or when there is a change in the installation or establishment which renders the existing policy inadequate.*

12. Safety reports

(1) *The duty holder of a high hazard establishment must prepare a comprehensive site specific safety report, which must be developed*

during the design phase of the high hazard establishment and must be continually updated during the life cycle of the project up to the date of the start of operations and shall be maintained for the duration of the life of the high hazard establishment, demonstrating that—

- (a) the major incident prevention policy has been implemented;*
- (b) the process safety management system has been established in accordance with the information set out in Annexure MHI B;*
- (c) hazards associated with major incidents and possible major incident scenarios have been identified and that the necessary measures have been taken to prevent such incidents and to limit their consequences;*
- (d) adequate safety and reliability have been incorporated into the—
 - (i) design;*
 - (ii) construction;*
 - (iii) operation; and*
 - (iv) maintenance,*of any MHI, equipment and infrastructure used in the establishment;*
- (e) on-site emergency plans have been drawn up.*

(2) The safety report must contain information regarding an off-site emergency plan to take the necessary measures in the event of a major incident.

(3) The duty holder of a proposed high hazard establishment must—

- (a) send a preliminary safety report at the design stage of that establishment to the chief inspector ; and*
- (b) send a final safety report within a reasonable time before the start of operations at that installation.*

(4) The duty holder of an existing high hazard establishment must send a safety report to the chief inspector within 36 months after the entry into force of these Regulations.

(5) Every duty holder of a high hazard establishment must—

- (a) every five years; and*
- (b) prior to any major change to the establishment; or*
- (c) whenever there is change in the process safety management system which could have significant repercussions with respect to the prevention of major incidents or the limitation of the consequences of major incidents,*

review and if necessary, revise the safety report and must send an amended safety report to the chief inspector.

13. Licence to operate a high hazard establishment

(1) A duty holder who operates a high hazard establishment must apply for a licence to operate such an establishment. Provided that the existing establishments shall do so, not later than 36 months after the entry into force of these Regulations,

- (2) Upon receipt of an application in terms in sub regulation (1), the chief inspector, after consultation with the local authority, may—
- (a) issue a licence; or
 - (b) decide not to issue a licence and give reasons for the decision; or
 - (c) issue a licence subject to any condition that he or she deems reasonably necessary.
- (3) A licence issued under sub regulation (2) (a) and (b) may—
- (a) not be transferred to another establishment; and;
 - (b) lapse after 12 months if the new installation has not started or the installation has not been operated within 12 months.
- (4) The chief inspector may—
- (a) suspend or withdraw a licence if the conditions subject to which the licence was issued are not complied with;
 - (b) alter a condition in an existing licence after consultation with the duty holder and the relevant health and safety representatives or the relevant health and safety committee.

14. General duties of local authority

- (1) Without derogating from the provisions of the National Building Regulations and Building Standards Act, 1977 (*as amended*), a local authority must not permit the erection of a new major hazard establishment or the expansion of a *major hazard establishment* at a separation distance that poses an unacceptable risk in terms of the *risk assessment contemplated in regulation 6*.
- (2) The local authority must—
- (a) only where there is a separation distance which will not pose an unacceptable risk in terms of the *risk assessment contemplated in regulation 6* permit new property development; and
 - (b) prohibit any development adjacent to an installation that will result in that installation being declared a *MHI*.
- (3) The relevant local authority must give its consent for the onsite emergency preparedness plan and participate in a test drill of the on-site emergency preparedness plan as contemplated in regulation 15(6)(e):
- (4) Where a relevant local authority does not have the facilities available to control a major incident or to comply with the requirements of these Regulations, that local authority must make prior arrangements with a neighbouring local authority, the relevant provincial government or the *duty holder* for assistance.
- (5) The off-site emergency plan to be followed outside the premises of the *establishment* or part of the establishment must be the responsibility of the relevant local authority.

(6) *The relevant local authority shall prepare an off-site emergency plan in accordance with SANS 1514 (as amended) and in consultation with the duty holder and interested or affected persons, within 24 months after the entry into force of these Regulations.*

(7) *The duty holder must, on written request by, and within the time limits imposed by the local authority, furnish the local authority with the necessary information needed to prepare the off-site emergency plan.*

15. Emergency preparedness plan

(1) *A duty holder must immediately after submission of the notification contemplated in regulation 4, in consultation with the relevant health and safety representatives or health and safety committee, in writing, appoint an emergency coordinating team consisting of at least—*

- (a) the responsible person contemplated in regulation 3(2);*
- (b) a responsible person's assistant contemplated in regulation 3(3);*
- (c) safety representative from the health and safety committee;*

(2) *The duty holder must establish and maintain an on site emergency preparedness plan before the establishment commences operations in consultation with the emergency coordinating team and in accordance with SANS 1514 (as amended).*

(3) *The on site emergency preparedness plan for an existing establishment must be updated and aligned to SANS 1514 within 12 months after the entry into force of these Regulations.*

(4) *A duty holder must—*

- (a) ensure that the manner in which employees, visitors and neighbors will be warned of major incidents is included in the plan;*
- (b) sign a copy of the on-site emergency preparedness plan in the presence of at least two witnesses who have competency in emergency planning and who must be satisfied with the content of the emergency preparedness plan and attest to the signature of the duty holder;*
- (c) obtain approval of the on-site emergency preparedness plan from the relevant local authority;*
- (d) ensure that the on-site emergency preparedness plan is ready for implementation; and*
- (e) cause the on-site emergency preparedness plan to be tested in practice at least once a year and take the necessary steps to arrange for the local authority to participate in that test.*
- (f) must give an early warning to interested or affected parties in case a major incident is likely to go beyond the borders premises.*
- (g) must inform and make arrangements with any neighbors within the potential impact zone about, and regarding, on-site emergency preparedness and response.*

(5) The *duty holder* and the relevant local *authority* must take reasonable steps to activate the emergency preparedness plans in case of an incident which may result in—

- (a) a major incident;
- (b) an uncontrolled event which may reasonably be expected to lead to a major incident; or
- (c) a near miss that could reasonably be expected to have resulted in a major incident

(6) The *duty holder* must review the on-site emergency preparedness plan at least once every three years and if necessary revise the plan.

(7) The *duty holder* and local *authority* must ensure that *all first responders at the scene of a major incident have the necessary skill to deal with the substances at that establishment and are provided with emergency personal protective equipment as provided for in the emergency preparedness plan.*

16. Reporting of risk and emergency occurrences

(1) A *duty holder* must—

- (a) subject to regulation 8 of the General Administrative Regulations, within 48 hours, inform the chief inspector by means of telephone, facsimile or similar means of communication—
 - (i) of a major incident;
 - (ii) of an incident that brought the emergency plan into activation; or
 - (iii) that a substance under pressure was released.
- (b) investigate and submit a written incident report to the chief inspector within seven days after an emergency occurrence and major incident;
- (c) investigate and record all near misses in a register which shall at all times be available for inspection by an inspector and the local authority.

(2) A *duty holder* must in the case of a major incident or an emergency occurrence contemplated in sub regulation (1) that was or may have been caused by substance(s), inform the supplier of that substance(s) about the incident.

17. Information and training

(1) A *duty holder* must, after consultation with the relevant health and safety representatives or health and safety committee, ensure that all employees are adequately trained with regard to—

- (a) *the scope of these Regulations;*
- (b) *the nature of the establishment;*
- (c) *potential major hazards and associated major incidents;*
- (d) *potential risks to health and safety caused by the identified major hazards;*
- (e) *the practices and control procedures for a major incident; and*
- (f) *safety protocols and measures to be followed in case of an emergency.*

(2) *The duty holder must ensure that all trained employees undergo refresher training whenever there is a change in the establishment or when the risk assessment has been reviewed.*

(3) *The duty holder must provide induction orientation about the substances kept at the establishment, major hazard areas, and actions to follow in case of emergency, to all contractors, visitors and any person who in any manner assists in carrying out or conducting allocated duties, before they enter the establishment.*

(4) *Induction orientation shall be performed again for the persons mentioned in sub regulation (3) that returns to the site, in the event of any change to establishment which significantly alters the risk associated with the establishment. Provided that the induction training will be valid for periods not exceeding 12 months.*

(5) *A duty holder must ensure that all interested or affected parties are informed of the appropriate emergency response in the case of a major incident and are provided with updates on any reviewed risk assessment when such review has an impact on interested and affected parties.*

18. General duties of suppliers

1) Any person who supplies substance(s) to an establishment must ensure that a *safety data sheet* is supplied with the substance(s), *provide training on the use and handling of substance and must also conduct refresher training at intervals not exceeding 24 months.*

(2) *On receipt of the information contemplated in regulation 16(2), a supplier of a substance involved in a major incident or potential major incident must inform all persons being supplied with that substance, of the emerging potential dangers surrounding it.*

(3) A supplier must provide information and advice in the case of a major incident with regard to the substance supplied and shall provide a service that shall be readily available on a 24-hour basis to all duty holders, the relevant local *authority* and any other body concerned.

19. Approved inspection authorities

(1) *An inspection body accredited in terms of the Accreditation for Conformity Assessment, Calibration and Good Laboratory Practice Act, 2006*

(as amended) or a foreign inspection body must apply to the chief inspector on Form B.

(2) On receipt of the application contemplated in sub regulation (1) the chief inspector must, subject to conditions, if deemed necessary, approve the application.

(3) In the event of a dispute between an approved inspection authority and duty holder regarding a technical or safety matter, which cannot be reasonably resolved the disputing parties may refer the case to the chief inspector in writing for arbitration, setting out the full details of the dispute.

(4) The chief inspector must, upon receiving a request contemplated in sub regulation (3) appoint an arbitrator mutually agreed upon between the parties.

(5) The dispute contemplated in sub-regulation (3) must be investigated and arbitrated within a maximum of 90 days after the submission of a request for arbitration.

(6) An approved inspection authority must comply with all the duties assigned to an approved inspection authority in these Regulations within its scope of accreditation and the relevant health and safety standards.

20. Duties of approved inspection authority

(1) An approved inspection authority must ensure that the risk assessment contemplated in regulation 6 is carried out in terms of SANS 1461 (as amended).

(2) An approved inspection authority must provide results on the MHI establishment classification, acceptability of risk, and make recommendations with regard to the following:

- (a) The suitability of the existing emergency procedures for the risks identified;
- (b) any organisational measures that may be required;
- (c) risk reduction proposals; and
- (d) any other relevant matter.

(3) The approved inspection authority must, after each risk assessment, furnish the duty holder with the latest MHI risk assessment report and attachments as required in terms of SANS 1461.

(4) The approved inspection authority must when requested, participate in investigating major incidents, and near-misses.

(5) The approved inspection authority must make a risk assessment available upon request by the chief inspector or the local authority.

(6) An approved inspection authority must submit a list of all major hazard installations assessed, monthly, to the chief inspector in the form contemplated in annexure F and must report to the chief inspector the need to revise the existing risk assessment in the event that it is found, after an

investigation, that the existing risk assessment requires revision.

(7) An approved inspection authority shall not operate as an MHI consultant.

21. Payable fees

1) A duty holder must pay a prescribed fee each time a notification, a renewal or revision of a risk assessment, is sent to the chief inspector. Provided that the chief inspector may grant an exemption from payment of such fees or may determine any other fee, he or she considers necessary.

(2) The fees for the issue and renewal of a certificate of registration are set out in the third and fourth columns, respectively, of Annexure E.

(3) The Chief Inspector may waive but not refund the whole or any part of any fee paid or payable under these Regulations.

22. Closure

A duty holder must 60 days prior to the day that the establishment ceases to be a MHI, notify the chief inspector, provincial director and the local authority in writing

23. Offences and Penalties

(1) Any person who contravenes or fails to comply with these regulations is guilty of an offence and on conviction is liable to a fine not exceeding R500 000 or to imprisonment for a period not exceeding 12 months. The maximum permissible fines that may be imposed for contravening essential Regulations are prescribed on the table below:

PREVIOUS CONTRAVENTIONS	CONTRAVENTIONS OF ANY OF REGULATIONS: 3(1), 4(1), 4(4), 6(3), 7, 10, 11(1), 12(1), 13(1), 15(2), 16, 20 (6) and 22
<i>No previous contraventions</i>	<i>R100 000</i>
<i>A previous contravention within 12 months</i>	<i>R250 000</i>
<i>A previous contraventions in respect of the same contravention within 3 years</i>	<i>R300 000</i>
<i>Three previous contraventions in respect of the same provision within three years</i>	<i>R500 000</i>

24. Repeal of regulations

The Major Hazard Installation Regulations, 2001 published under Government Notice No.R692 of 30 July 2001, are hereby repealed.

25. Short title and commencement

These Regulations are called the Major Hazard Installation Regulations, 2019, and come into effect on a date determined by the Minister by notice in the *Government Gazette*.

ANNEXURE MHI A**SUBSTANCES TO WHICH THESE REGULATIONS APPLY****Part 1: Introduction**

(1) *This Annexure applies to the presence of substances at any establishment and determines the application of the relevant regulations in accordance with regulation 2(1).*

(2) *Mixtures and preparations shall be treated in the same way as pure substances provided they remain within the concentration limits set according to their properties under the SANS 10228, unless a percentage composition or other description is specifically given.*

(3) *The qualifying quantities set out in Parts 2 and 3 relate to each establishment*

(4) *The quantities to be considered for the application of the relevant regulations are the maximum quantities which are present at any one time. Substances present at an establishment only in quantities equal to or less than 2% of the relevant qualifying quantity shall be ignored for the purposes of calculating the total quantity present if their location within an establishment is such that it cannot act as an initiator of a major incident elsewhere on site.*

(5) *The rules given in Part 3, Note 4 governing the addition of substances, or categories of substances, shall apply.*

(6) *For the purpose of this Annexure, a gas is any substance that has an absolute vapour pressure equal to or greater than 101.3 kPa at a temperature of 20°C.*

(7) *For the purpose of this Annexure, a liquid is any substance that is not a gas and that is not in a solid state at a temperature of 20°C and at a standard pressure of 101.3kPa.*

ANNEXURE MHI A1**NAMED SUBSTANCES**

Where a substance or group of substances listed in this Annexure also falls within a category of Annexure MHI A2, the qualifying quantities set out in this Annexure must be used.

<i>Named substances</i>	<i>Quantities in tonnes</i>		
	<i>Low Hazard</i>	<i>Medium Hazard</i>	<i>High Hazard</i>
<i>Ammonia anhydrous</i>	5	50	200

Named substances	Quantities in tonnes		
	Low Hazard	Medium Hazard	High Hazard
<i>Ammonium nitrate (as described in Note 1; see also Note 8(1) and (2))</i>	500	5,000	10,000
<i>Ammonium nitrate (as described in Note 2; see also Note 8)</i>	125	1,250	5,000
<i>Ammonium nitrate (as described in Note 3 of this Part; Note 8(2) and (3))</i>	35	350	2,500
<i>Ammonium nitrate (as described in Note 4 of this Part; Note 8)</i>	1	10	50
<i>Potassium nitrate (as described in Note 5)</i>	500	5,000	10,000
<i>Potassium nitrate (as described in Note 6)</i>	125	1,250	5,000
<i>Arsenic pentoxide, arsenic (V) acid and/or salts</i>	0,1	1	2
<i>Arsenic trioxide, arsenious (III) acid and/or salts</i>	0,01	0.1	0.1
<i>Bromine</i>	2	20	100
<i>Chlorine</i>	1	10	25
<i>Nickel compounds in inhalable powder form (nickel monoxide, nickel dioxide, nickel sulphide, tri-nickel disulphide, di-nickel trioxide)</i>	0,1	1	1
<i>Ethyleneimine</i>	1	10	20
<i>Fluorine</i>	1	10	20
<i>Formaldehyde (concentration \geq 90%)</i>	0,5	5	50
<i>Hydrogen</i>	0,5	5	50
<i>Hydrogen chloride (liquefied gas)</i>	2,5	25	250
<i>Hydrogen fluoride</i>	0,5	5	20
<i>Lead alkyls</i>	0,5	5	50
<i>Liquefied extremely flammable gases (including LPG) and natural gas (whether liquefied or not)</i>	5	50	200
<i>Acetylene</i>	0,5	5	50
<i>Ethylene oxide</i>	0,5	5	50
<i>Propylene oxide</i>	0,5	5	50
<i>Methanol</i>	50	500	5,000
<i>4, 4-Methylenebis (2-chloraniline) and/or salts, in powder form</i>	0,001	0.01	0.01
<i>Methyl isocyanate</i>	0,015	0.15	0.15
<i>Oxygen</i>	20	200	2,000
<i>Toluene di-isocyanate</i>	1	10	100
<i>Carbonyl dichloride (phosgene)</i>	0,03	0.3	0.75
<i>Arsenic trihydride (arsine)</i>	0,02	0.2	1
<i>Phosphorus trihydride (phosphine)</i>	0,02	0.2	1

Named substances	Quantities in tonnes		
	Low Hazard	Medium Hazard	High Hazard
Sulphur dichloride	0,1	1	1
Sulphur dioxide	0,5	5	20
Sulphur trioxide	1,5	15	75
Polychlorodibenzofurans and polychlorodibenzodioxins (including TCDD), calculated in TCDD equivalent (See Note 7)	0,0001	0.001	0.001
The following CARCINOGENS at concentrations above 5% by weight: 4-Aminobiphenyl and/or its salts, Benzotrichloride, Benzidine and/or salts, Bis (chloromethyl) ether, Chloromethyl methyl ether, 1,2-Dibromoethane, Diethyl sulphate, Dimethyl sulphate, Dimethylcarbamoyl chloride, 1,2-Dibromo-3-chloropropane, 1,2-Dimethylhydrazine, Dimethylnitrosamine, Hexamethylphosphoric triamide, Hydrazine, 2-Naphthylamine and/or salts, 4-Nitrodiphenyl and 1,3-Propanesultone	0,05	0.5	2
Petroleum products: gasolines , naphthas, kerosenes (including jet fuels), gas oils (including diesel fuels, home heating oils and gas oil blending streams)	250	2 500	25 000

NOTES

1 Ammonium nitrate fertilisers capable of self-sustaining decomposition.

This applies to ammonium nitrate-based compound/composite fertilisers (compound or composite fertilisers containing ammonium nitrate with phosphate and/or potash) in which the nitrogen content as a result of ammonium nitrate is—

- (a) between 15.75% and 24.5% by weight and either with not more than 0.4% total combustible or organic materials or which satisfy the detonation resistance test described in Annexure MHI 2 to the Ammonium Nitrate Materials (High Nitrogen Content) Safety Regulations 2003 [7] "the detonation resistance test"; or

- (b) 15.75% or less by weight and unrestricted combustible materials, and which are capable of self-sustaining decomposition according to the UN Trough Test specified in United Nations Recommendations on the Transport of Annexure MHI Goods: Manual of Tests and Criteria (3rd revised Edition), Part III, subsection 38.2.

2. Ammonium nitrate: fertiliser grade.

This applies to straight ammonium nitrate-based fertilisers and to ammonium nitrate-based compound/composite fertilisers in which the nitrogen content as a result of ammonium nitrate is –

- (a) more than 24.5% by weight, except for mixtures of ammonium nitrate with dolomite, limestone and/or calcium carbonate with a purity of at least 90%;
- (b) more than 15.75% by weight for mixtures of ammonium nitrate and ammonium sulphate; or
- (c) more than 28% by weight for mixtures of ammonium nitrate with dolomite, limestone and/or calcium carbonate with a purity of at least 90%, and which satisfy the detonation resistance test.

3. Ammonium nitrate: technical grade.

This applies to—

- (a) ammonium nitrate and preparations of ammonium nitrate in which the nitrogen content as a result of the ammonium nitrate is -
- (i) between 24.5% and 28% by weight, and which contain not more than 0.4% combustible substances; or
- (ii) more than 28% by weight, and which contain not more than 0.2% combustible substances
- (b) aqueous ammonium nitrate solutions in which the concentration of ammonium nitrate is more than 80% by weight.

4. Ammonium nitrate (10/50): "off-specs" material and fertilisers not satisfying the detonation resistance test.

This applies to –

- (a) material rejected during the manufacturing process and to ammonium nitrate and preparations of ammonium nitrate, straight ammonium nitrate-based fertilisers and ammonium nitrate-based compound/composite fertilisers referred to in Notes 2 and 3, that are being or have been returned from the final user to a manufacturer, temporary storage or reprocessing plant for

reworking, recycling or treatment for safe use, because they no longer comply with the specifications of Notes 2 and 3; or

(b) *fertilisers which do not fall within Notes 1(a) and 2 because they do not satisfy the detonation resistance test, other than fertilisers which -*

(i) *at the time of delivery to a final user satisfied the detonation resistance test; but*

(ii) *later became degraded or contaminated; and*

(iii) *are temporarily present at the establishment of the final user prior to their return for reworking, recycling or treatment for safe use or to their being applied as fertiliser.*

5. *Potassium nitrate (5,000/10,000): composite potassium nitrate-based fertilisers composed of potassium nitrate in prilled / granular form.*

6. *Potassium nitrate (1,250/5,000): composite potassium nitrate-based fertilisers composed of potassium nitrate in crystalline form.*

7. *Polychlorodibenzofurans and polychlorodibenzodioxins. The quantities of polychlorodibenzofurans and polychlorodibenzodioxins are calculated using the following factors:*

<i>International Toxic Equivalent Factors (ITEF) for the congeners of concern (NATO/CCMS)*</i>			
<i>2, 3, 7, 8-TCDD</i>	<i>1</i>	<i>2, 3, 7, 8-TCDF</i>	<i>0.1</i>
<i>1, 2, 3, 7, 8-PeCDD</i>	<i>0.5</i>	<i>2, 3, 4, 7, 8-PeCDF</i>	<i>0.5</i>
		<i>1, 2, 3, 7, 8-PeCDF</i>	<i>0.05</i>
<i>1, 2, 3, 4, 7, 8-HxCDD</i>	<i>0.1</i>		
<i>1, 2, 3, 6, 7, 8-HxCDD</i>	<i>0.1</i>	<i>1, 2, 3, 4, 7, 8-HxCDF</i>	<i>0.1</i>
<i>1, 2, 3, 7, 8, 9-HxCDD</i>	<i>0.1</i>	<i>1, 2, 3, 7, 8, 9-HxCDF</i>	<i>0.1</i>
		<i>1, 2, 3, 6, 7, 8-HxCDF</i>	<i>0.1</i>
<i>1, 2, 3, 4, 6, 7, 8-HpCDD</i>	<i>0.01</i>	<i>2, 3, 4, 6, 7, 8-HxCDF</i>	<i>0.1</i>
		<i>1, 2, 3, 4, 6, 7, 8-HpCDF</i>	<i>0.01</i>
<i>OCDD</i>	<i>0.001</i>	<i>1, 2, 3, 4, 7, 8, 9-HpCDF</i>	<i>0.01</i>
		<i>OCDF</i>	<i>0.001</i>

* (T = tetra, Pe = penta, Hx = hexa, Hp = hepta, O = octa)

8.(1) *15.75% nitrogen content by weight as a result of ammonium nitrate corresponds to 45% ammonium nitrate.*

(2) 24.5% nitrogen content by weight as a result of ammonium nitrate corresponds to 70% ammonium nitrate.

(3) 28% nitrogen content by weight as a result of ammonium nitrate corresponds to 80% ammonium nitrate.

8.1 Examples of the application of the aggregation and 2% rules

The following examples are for illustration purposes only and each situation should be considered carefully. In case of any doubt, the individual situation should be discussed with the approved inspection authority.

Aggregation

Example 1

A site with 4 tonnes of hydrogen (medium hazard threshold 5 tonnes) and 1500 tonnes of flammable liquids meeting category 6 of Part 3 of Annexure MHI A (medium hazard threshold 5000 tonnes). The aggregation rule gives:

$$(4/5) + (1500/5000) = 0.8 + 0.3 = 1.1$$

As this result is greater than 1, medium hazard establishment applies.
Example 2

A site with 150 tonnes of toxic substances meeting category 2 of Part 3 of Annexure MHI 1 (high hazard threshold 200 tonnes) and 1 tonne of arsenic pentoxide (high hazard threshold 2 tonnes). The aggregation rule gives:

$$(150/200) + (1/2) = 0.75 + 0.5 = 1.25$$

As this result is greater than 1, high hazard MHE applies.

8.2 The 2% rule

The 2% rule is given in Annexure MHI A, Part 1, as follows:

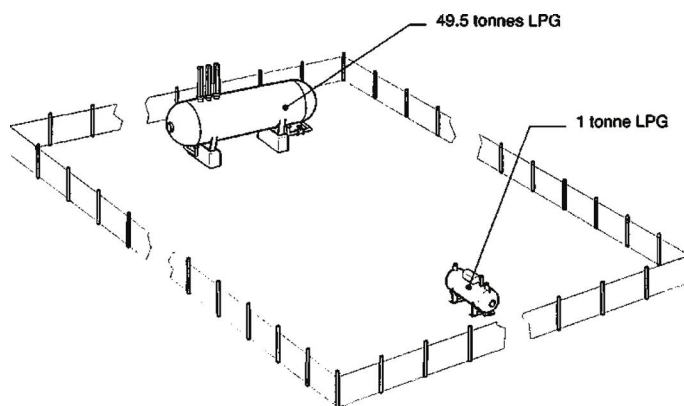
The quantities to be considered for the application of the relevant Regulations are the maximum quantities which are present at any one time. Substances present at an establishment only in quantities equal to or less than 2% of the relevant qualifying quantity shall be ignored for the purposes of calculating the total quantity present if their location within an establishment is such that it cannot act as an initiator of a major accident elsewhere on site.

This allows for some quantities of substances to be ignored when deciding whether the Regulations apply. Individual quantities of dangerous substances can be ignored if they fulfil the following criteria:

- (a) the quantity is 2% or less of its threshold quantity; and
- (b) its location means that it cannot start a major accident elsewhere on site.

Note that-

- (a) both criteria must be met;
- (b) the quantity involved may be capable of producing a major incident by itself;
- (c) it may be capable of starting a major incident off site; and
- (d) if it meets the criteria, it can be ignored only when determining whether the establishment is within the scope of the Regulations. If the establishment is subject to the Regulations because of the presence of other dangerous substances, any quantity of 2% or less must be taken into account when considering the sources and consequences of major accidents.



Note: The diagram does not depict an approved installation, but is meant for illustration purposes only.

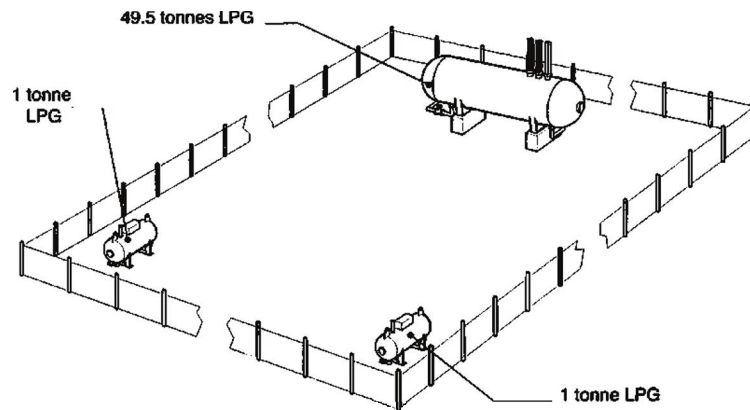
Example 2

An establishment with-

- (a) a large tank containing 49.5 tonnes of LPG; and
- (b) a small tank containing 1.0 tonne of LPG.

The small tank = 2% of medium hazard threshold (50 tonnes), but the separation from the large tank is sufficient to prevent the small tank starting a major incident at the large tank. It can therefore be ignored in terms of the 2% rule.

The result is that medium hazard MHE does not apply, even though the total quantity of 50.5 tonnes is above the medium hazard threshold, which places it in the low hazard category.



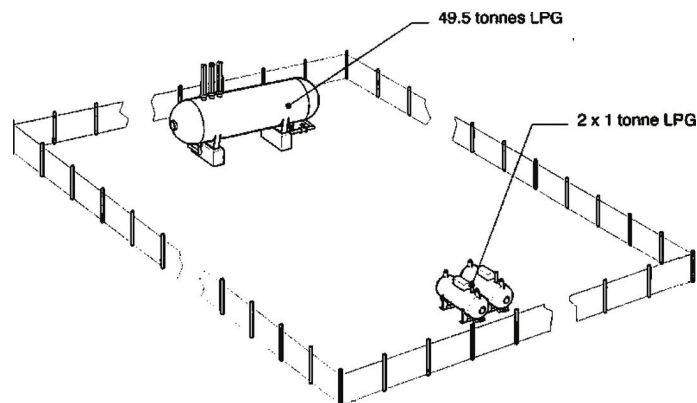
Example 3

An establishment with-

- (a) a large tank containing 49.5 tonnes of LPG; and
- (b) two small tanks each containing 1.0 tonne of LPG.

Each small tank = 2% of medium hazard threshold (50 tonnes), but their separation from the large tank and from each other is sufficient to prevent either of them starting a major incident at the other small tank or the large tank. Therefore each can be ignored in terms of the 2% rule.

The result is that medium hazard MHE does not apply, even though the total quantity of 51.5 tonnes is above the medium hazard threshold, which places it in the low hazard category.



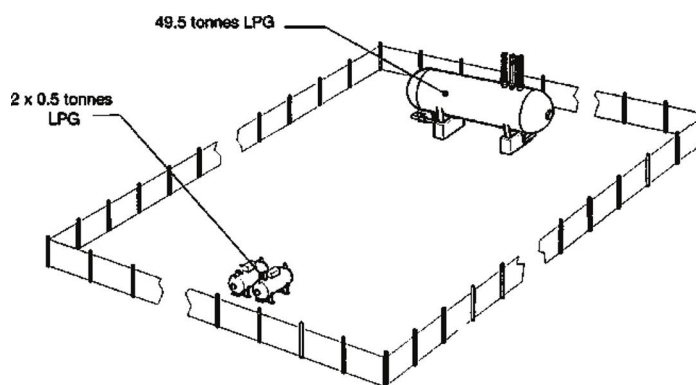
Example 4

An establishment with-

- (a) a large tank containing 49.5 tonnes of LPG; and
- (b) two small tanks each containing 1.0 tonne of LPG.

The small tanks are adjacent to each other but their separation from the large tank is sufficient to prevent the small tanks starting a major incident at the large tank.

Both small tanks = 2% of threshold (50 tonnes), but as they are adjacent they should be regarded as one quantity of more than 2%, therefore the 2% rule does not apply. As the total quantity of 51.5 tonnes exceeds the medium hazard threshold, MHE applies to this establishment.

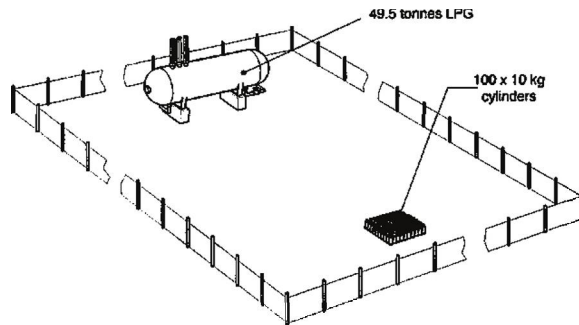
**Example 4**

An establishment with-

- (a) a large tank containing 49.5 tonnes of LPG; and
- (b) two small tanks each containing 0.5 tonnes of LPG.

The small tanks are adjacent to each other but well separated from the large tank.

Both small tanks = 1 % of threshold (50 tonnes), but as they are adjacent they should be regarded as one quantity of 1 tonne which = 2%. As this cannot start a major incident elsewhere on site, the 2% rule applies and medium hazard MHE does not apply even though the total quantity is greater than the medium hazard threshold, which places it in the low hazard category.



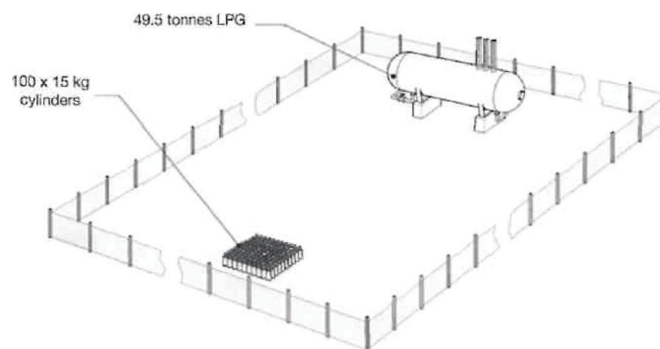
Example 5

An establishment with-

- (a) a large tank containing 49.5 tonnes of LPG; and
- (b) a compound containing 100 x 10 kg cylinders of LPG, i.e. 1 tonne in total.

The separation between the compound and large tank is sufficient to prevent the cylinders starting a major incident at the large tank.

Each cylinder contains less than 2% of the medium hazard threshold (50 tonnes) and the total quantity in the cylinders is 1 tonne which is 2% of the medium hazard threshold. The cylinder compound cannot start a major incident elsewhere on site, so the 2% rule applies. Therefore medium hazard MHE does not apply, which places it in the low hazard category.



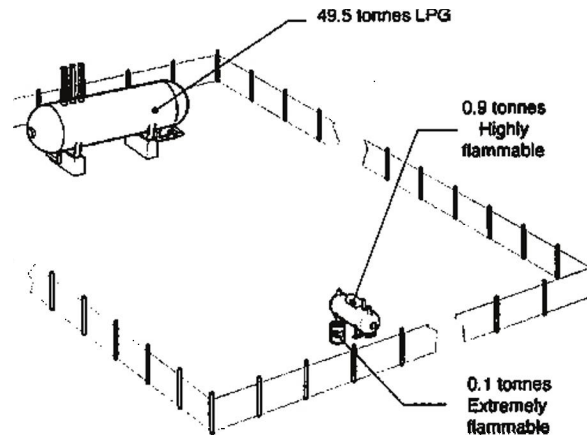
Example 6

An establishment with-

- (a) a large tank containing 49.5 tonnes of LPG; and
- (b) a compound containing 100 x 15 kg cylinders of LPG, i.e. 1.5 tonnes in total.

The separation between the compound and the large tank is sufficient to prevent the cylinders starting a major incident at the large tank.

Each cylinder contains less than 2% of the medium hazard threshold (50 tonnes) but as they are adjacent to each other they should be treated as one quantity of 1.5 tonnes, which is greater than 2% of the medium hazard threshold. Therefore medium hazard MHE applies to this establishment.



Example 7

An establishment with-

- a large tank containing 49.5 tonnes of LPG;
- a tank containing 0.9 tonnes of highly flammable liquid (medium hazard threshold 50 tonnes); and
- a tank containing 0.1 tonnes of extremely flammable liquid (medium hazard threshold 10 tonnes).

The small tanks are adjacent, but their separation from the large tank is enough to prevent the small tanks starting a major incident at the large tank. The total quantity for application purposes is determined by the aggregation rules, but first it is necessary to determine if the small tanks together exceed 2% of their threshold.

To do this, each one is expressed as a percentage of its own threshold and added together:

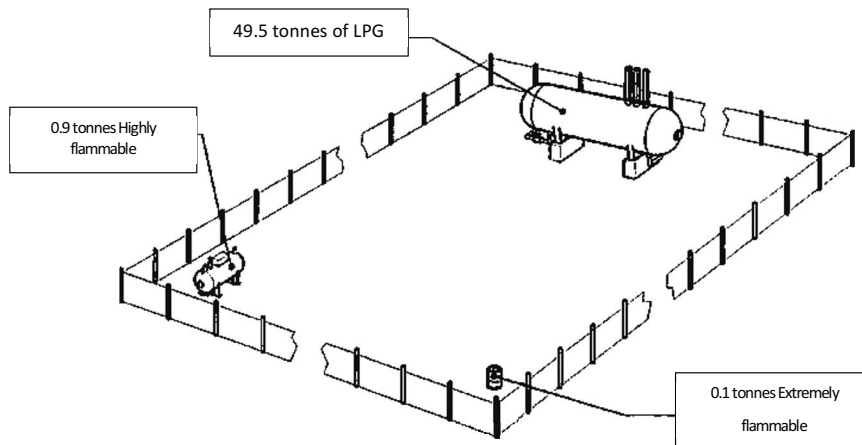
$$(0.9/50) + (0.1/10) = 0.018 + 0.01 = 1.8\% + 1.0\% = 2.8\%$$

As this is greater than 2%, they cannot be ignored for application purposes.

The aggregation rule gives:

$$49.5 + 0.9 + 0.1 = 1.018$$

50 50 10 which is greater than 1, so medium hazard MHE applies to the establishment.



Example 8

An establishment with-

- (a) *a large tank containing 49.5 tonnes of LPG;*
- (b) *a tank containing 0.9 tonnes of highly flammable liquid (medium hazard threshold 50 tonnes); and*
- (c) *a tank containing 0.1 tonnes of extremely flammable liquid (medium hazard threshold 10 tonnes).*

The separation is sufficient that neither small tank can start a major incident at either the other small tank or the large tank.

Because neither small tank exceeds 2% of its threshold, they can both be ignored for application purposes and the total quantity for application purposes is, therefore, the 49.5 tonnes of LPG. This is below its medium hazard threshold, so medium hazard MHE does not apply to the establishment, which places it in the low hazard category.

ANNEXURE MHI A2**LISTED SUBSTANCES****Categories of substances and preparations not specifically named in Annexure MHI A1**

<i>Categories of dangerous substances</i>	<i>Quantity in tonnes</i>		
<i>Column 1</i>	<i>Column 2</i>	<i>Column 3</i>	<i>Column 4</i>
<i>VERY TOXIC (R26 as per Note 4)</i>	<i>0,5</i>	<i>5</i>	<i>20</i>

<i>TOXIC (R23 as per Note 4)</i>	5	50	200
<i>OXIDISING</i>	5	50	200
<i>FLAMMABLE, where the substance or preparation falls within the definition given in Note 2(a)</i>	500	5 000	50 000
<i>HIGHLY FLAMMABLE, where the substance or preparation falls within the definition given in Note 2(b)(i)</i>	5	50	200
<i>HIGHLY FLAMMABLE liquids, where the substance or preparation falls within the definition given in Note 2(b)(ii)</i>	500	5 000	50 000
<i>EXTREMELY FLAMMABLE, where the substance or preparation falls within the definition given in Note 3(c)</i>	1	10	50
<i>ANNEXURE MHI FOR THE ENVIRONMENT risk phrases:</i>			
<i>(a) Very toxic to aquatic organisms</i>	10	100	200
<i>(b) Toxic to aquatic organisms: may cause long term adverse effects in the aquatic environment</i>	20	200	500
<i>ANY CLASSIFICATION not covered by those given above in combination with risk phrases</i>			
<i>(a) Reacts violently with water</i>	10	100	500
<i>(b) In contact with water, liberates toxic gas</i>	5	50	200

NOTES

1. Substances and preparations shall be classified for the purposes of Annexure MHI A2 according to SANS 10228.

3. *In the case of substances and preparations with properties giving rise to more than one classification, for the purposes of these Regulations the lowest qualifying quantities shall apply. However, for the application of the rule in Note 3, the qualifying quantity used shall always be the one corresponding to the classification concerned.*

(a) *"Flammable", "highly flammable" and "extremely flammable" mean -*

(i) *flammable liquids - substances and preparations having a flash point equal to or greater than 23°C and less than or equal to 60°C (danger group III as per SANS 10228), supporting combustion;*

(ii) *highly flammable liquids –*

(aa) *substances and preparations which may become hot and finally catch fire in contact with air at ambient temperature without any input of energy; substances and preparations which have a flash point lower than 60°C and which remain liquid under pressure, where particular processing conditions, such as high pressure or high temperature, may create major-incident hazards;*

(bb) *substances and preparations having a flash point lower than 23°C and which are not extremely flammable (danger group II, SANS 10228); and*

(3). *The extremely flammable gases and liquids –*

(a) *liquid substances and preparations which have a flash point lower than 0°C and the boiling point (or, in the case of a boiling range, the initial boiling point) of which at normal pressure is less than or equal to 35°C; and*

(b) *gases which are flammable in contact with air at ambient temperature and pressure, which are in a gaseous or supercritical state; and*

(c) *flammable and highly flammable liquid substances and preparations maintained at a temperature above their boiling point.*

(4). *In the case of an establishment where no individual substance or preparation is present in a quantity above or equal to the relevant qualifying quantities, the following rules shall be applied to determine the application of these Regulations to the establishment:*

If the sum - $q_1/Q_{U1} + q_2/Q_{U2} + q_3/Q_{U3} + q_4/Q_{U4} + q_5/Q_{U5} + \dots$ is greater than or equal to 1, where –

(a) *q_x = the quantity of dangerous substance x (or category of dangerous substances) falling within Annexure MHI A1 or B; and*

(b) *Q_{UX} = the relevant qualifying quantity for substance or category x*

from column 3 of Annexure MHI A1 and MHI B then these Regulations apply.

If the sum - $q1/QL1 + q2/QL2 + q3/QL3 + q4/QL4 + q5/QL5 + \dots$ is greater than or equal to 1, where -

(i) q_x = the quantity of dangerous substance x (or category of dangerous substances) falling within Annexure MHI A1 and B; and

(ii) QL_x = the relevant qualifying quantity for substance or category x from column 2 of Annexure MHI A1 and B, then these Regulations shall apply.

(5). These rules shall be used to assess the overall hazards associated with toxicity, flammability and eco-toxicity. They must therefore be applied three times -

(a) for the addition of substances and preparations named in Annexure MHI A1 and classified as toxic or very toxic, together with substances and preparations falling into category 1 or 2 in Annexure MHI A2;

(b) for the addition of substances and preparations named in Annexure MHI A1 and classified as oxidising, explosive, flammable, highly flammable or extremely flammable, together with substances and preparations falling into category 3, 6, 7a, 7b or 8 of Annexure MHI A2; and

(c) for the addition of substances and preparations named in Annexure MHI A1 and classified as Annexure MHI for the environment (toxic to aquatic organisms), together with substances and preparations falling into category 7(a) or 9(b) in Annexure MHI A2, and the relevant provisions of these Regulations shall apply if any of the sums thereby obtained is greater than or equal to 1.

(6). Stated in material safety data sheets of substances as per Dangerous Substances Directive (67/548/EEC)

ANNEXURE MHI A 3**CLASSIFICATION OF PIPELINES AS MAJOR HAZARD ESTABLISHMENTS**

For the purposes of this Annexure—

(a) a liquid is oxidising, if it has been, or is liable to be classified, pursuant to section 2(1) of the Hazardous Substance Act, 1973 as oxidising, and

(b) a fluid is toxic or very toxic, or reacts violently with water, if it has been, or is liable to be classified, pursuant to section 2(1) of the Hazardous Substance Act, 1973 as toxic, very toxic or as reacting violently with water.

A pipeline is classified as a MHI if any of the following applies:

(1). A fluid which is or is to be conveyed in a pipeline as a liquid:

(a) is flammable in air;

(b) has a boiling point below 5°C at 1 bar absolute, and

(c) is or is to be conveyed in a pipeline as a liquid.

(Paragraph 2(a)(i) of Annexure MHI A2 covers liquefied gases which are flammable in air when they are conveyed as a liquid. This includes butane and propane when conveyed in a pipeline as a liquid.)

(2). A fluid which is or is to be conveyed in a pipeline as a gas at above 8 bar absolute and its flammable in air.

(Paragraph 2(a)(ii) of Annexure MHI A2 is applicable to flammable gases conveyed as a gas. In such cases the additional duties only apply when the flammable gas is conveyed at a pressure in excess of 8 bars absolute. This covers such fluids as methane, butane and propane when conveyed as a gas).

(3). A liquid which has a vapour pressure greater than 1.5 bar absolute when in equilibrium with its vapour at either the actual temperature of the liquid or at 20°C. Mixtures of gas and liquid which have a vapour pressure in excess of 0.5 bar above atmospheric pressure when in equilibrium with its vapour are included.

(The intention is that this will cover pipelines conveying spiked crude which could have a considerable vapour pressure associated with it as well as pipelines which could be conveying fluids with a presence of sour gases. To determine whether the fluid attracts the additional duties, it is necessary to establish whether the gaseous element will separate out from the liquid with time to produce a pressure in excess of 1.5 bar absolute. The definition thus excludes stabilised crude oils in which the vapour pressure of the dissolved gas is suppressed by the lower vapour pressure of other constituents.)

(4). A toxic or very toxic fluid which—

- (a) *is a gas at 20°C and 1 bar absolute, and*
- (b) *is, or is to be, conveyed as a liquid or a gas i.e. ammonia*
- (5). *A toxic fluid which—*
- (a) *at 20°C has a saturated vapour pressure greater than 0.4 bar, and*
- (b) *is, or is to be, conveyed in the pipeline as a liquid.*
- (6). *A very toxic fluid which—*
- (a) *at 20°C has a saturated vapour pressure greater than 0.001 bar, or*
- (b) *is, or is to be, conveyed in the pipeline as a liquid at a pressure greater than 4.5 bar absolute.*
- (7). *An oxidising fluid which is, or is to be, conveyed as a liquid.*
- (8). *A fluid which reacts violently with water.*
- (9). *Acrylonitrile.*
- (10). *Carbon dioxide.*
- (11). *Gasoline.*
- “gasoline” means any petroleum derivative, other than liquefied petroleum gas, with a flashpoint between -51° and -40° centigrade and which is suitable for use in motor vehicles; (Mostly petrol). (Diesel is not included)*

ANNEXURE MHI B***Principles to be taken into account when preparing major incident prevention policy document***

(1). *For the purpose of implementing the duty holder's major incident prevention policy and process safety management system following elements must be considered:*

- (a) *the requirements laid down in the major incident prevention policy document must be proportionate to the hazards associated with major incidents present in the establishment;*
- (b) *the major incident prevention policy must include the duty holder's aims and principles of action with respect to the control of hazards associated with major incidents;*
- (c) *the process safety management system must include resources for determining and implementing the major incident prevention policy.*

(2). *The following issues must be addressed by the process safety management system:*

- (a) *Organisation and personnel—the roles and responsibilities of personnel involved in the management of major hazards at all levels in the organisation. The identification of training needs of such personnel and the provision of the training so identified. The involvement of employees and, where appropriate, sub-contractors;*
- (b) *identification and evaluation of major hazards—adoption and implementation of procedures for systematically identifying major hazards arising from normal and abnormal operation and the assessment of their likelihood and severity;*
- (c) *operational control—adoption and implementation of procedures and instructions for safe operation, including maintenance of plant, processes, equipment and temporary stoppages;*
- (d) *management of change—adoption and implementation of procedures for planning modifications to, or the design of, new installations, processes or storage facilities;*
- (e) *planning for emergencies—adoption and implementation of procedures to identify foreseeable emergencies by systematic analysis and to prepare, test and review emergency plans to respond to such emergencies;*
- (f) *monitoring performance—adoption and implementation of procedures for the on-going assessment of compliance with the objectives set by the duty holder major incident prevention policy and process safety management system, and the mechanisms for investigation and taking corrective action in the case of non-compliance. The procedures must cover the employer, self-*

employed person or user's system for reporting major incidents or near misses, particularly those involving failure of protective measures, and their investigation and follow-up on the basis of lessons learnt;

- (g) *audit and review—adoption and implementation of procedures for periodic systematic assessment of the major incident prevention policy and the effectiveness and suitability of the process safety management system; the documented review of performance of the policy and process safety management system and its updating by senior management.*

ANNEXURE MHI C**PURPOSE AND CONTENTS OF SAFETY REPORTS****MINIMUM INFORMATION TO BE INCLUDED IN SAFETY REPORT**

The information referred to in regulation 12(1), (5) and (7) is as follows:

(1). Information on the management system and on the organisation of the establishment with a view to major incident prevention.

This information must contain the elements set out in Annexure MHI B.

- (2). Presentation of the site and surrounding area of the establishment:
- (a) description of the site and its surrounding area including the geographical location, meteorological, geographical, hydrographic conditions and, if necessary, its history;
 - (b) identification of installations and other activities of the establishment which could present a major incident hazard;
 - (c) description of areas where a major incident may occur.
- (3). description of installation:
- (a) description of the main activities and products of the parts of the establishment which are important from the point of view of safety, sources of major incident risks and conditions under which such a major incident could happen, together with a description of proposed preventive measures;
 - (b) description of processes, in particular the operating methods;
 - (c) description of dangerous substances:
 - (i) Inventory of dangerous substances including—
 - (aa) the identification of dangerous substances: chemical name, the UN number allocated to the substance by SANS 10228;
 - (bb) the maximum quantity of dangerous substances present;
 - (ii) physical, chemical, toxicological characteristics and indication of the hazards, both immediate and delayed for people;
 - (iii) physical and chemical behaviour under normal conditions of use or under potential accidental conditions.
- (4). Identification and accidental risks analysis and prevention methods:
- (a) Detailed description of the possible major incident scenarios and their probability or the conditions under which they occur including a summary of the events which may play a role in triggering each of these scenarios, the causes being internal or external to the installation;
 - (b) assessment of the extent and severity of the consequences of identified major incidents;

- (c) *description of technical consideration, methods and tools used for the safety evaluation of the installation.*

- (5). *Measures of protection and intervention to limit the consequences of an incident:*
 - (a) *description of the equipment installed in the plant to limit the consequences of major incidents;*
 - (b) *organisational alert and intervention;*
 - (c) *description of internal or external resources that can be mobilised;*
 - (d) *summary of elements described in sub-paragraphs (a), (b) and (c);*
 - (e) *necessity for drawing up the on-site emergency plan.*

ANNEXURE D**NOTIFICATION OF MAJOR HAZARD ESTABLISHMENT****FORM A**

(Regulation 4)

Detailed guidance can be obtained from Major Hazard Installation Regulations, 2014 and it is available on the Department of Labour website, www.labour.gov.za.

The completed form must be sent to the Department of Labour by post; hand delivery or email:

Postal Address:

The Chief Inspector

Department of Labour

Private Bag X117

PRETORIA

0001

Physical Address:

215 Francis Baard

Laboria House Building

Pretoria

0001

or alternatively, you may send it by e-mail to: webmail@labour.gov.za

As electronic communication cannot be guaranteed to be secure, you may decide not to use this means if you regard any of the information as confidential.

A determination must be made by the applicant who the correct recipient at the local authority is. This recipient must be appropriate members of senior management at the local authority.

1. BASIC PARTICULARS OF ESTABLISHMENT

<i>Name of MHI establishment:</i>	
<i>Registered name of the business:</i>	
<i>Company Registration No:</i>	
<i>Chief Executive Officer:</i>	
<i>CEO's physical Address:</i>	
<i>CEO's Telephone number:</i>	
<i>Name and position of person in charge of the MHI Establishment:</i>	
<i>Physical Address of the MHI Establishment:</i>	
<i>Telephone:</i>	
<i>Email:</i>	
<i>Industry Sector:</i>	
<i>Brief description of activity or proposed activity concerned, including nature of business:</i>	
<i>Relevant Health and safety representative(s).</i>	
<i>Trade Union</i>	
<i>Other</i>	

2. CLASSIFICATION

2.1 *Is the establishment/installation classified as a MHI?*

Yes No

2.2 *Type of MHI*

Low:

Medium:

High:

2.3 *Type of Notification*

New:

Modification:

Existing:

Comment on the life time of the establishment:

2.4 *Were the employees consulted and informed of the MHE*

Yes No

Attach proof

3. PUBLIC AWARENESS

3.1 *Were the neighbours and public notified?*

Yes No

Attach proof

3.2 *Were there any objections?*

Yes No

If yes, attach proof of those objections

3.3 *Were the objections regarding health and safety?*

Yes No

If yes explain and attach proof of resolution of objections:

4. INVENTORY OF SUBSTANCES

Provide an inventory list of all hazardous substances that will be present, their physical form and quantity.

Physical form includes gas, liquid, powder and solids.

Quantity is the maximum which is anticipated will be present.

The information as in Annexure A must be used.

Name of Hazardous Substance	Physical Form	Maximum Quantity

Details of the elements of the immediate environment liable to cause a major incident or aggravate the consequences thereof:

Describe other establishments or features of environment which could lead to a major incident on your site. Describe elements of surrounding environment which could make the consequences of a

Neighbouring MHI
Surrounding Vulnerabilities

major incident
worse (e.g. nearby
housing; other
occupied buildings;
farming, sewage
works, etc.)

	Other

5. DETAILS OF APPROVED INSPECTION AUTHORITY

5.1 Name of the AIA (as relevant): _____

5.2 MHI AIA number: _____

(Attach certificate)

5.3 SANAS Certificate Number: _____

(Attach certificate & schedule)

5.4 Name of Assessor: _____

(Attach competency records)

5.5 Telephone number: _____

6. RISK ASSESSMENT

6.1 Type of risk assessment

(a) Baseline:

(b) Review:

(c) Revision:

6.2(a) If risk assessment is not a baseline, when was the first risk assessment conducted?

(b) By who was the assessment conducted? _____

(c) When did the assessment expire? _____

(d) Age of the Establishment _____

6.3 Subsequent risk assessments

DATE OF MHI RISK ASSESSMENT	TYPE OF MHI RISK ASSESSMENT	AIA/

6.4 Date of evaluation of current MHI risk assessment: _____

Attach proof

Indicate variations & reasons?

7. SITE MAPS

Included?

Yes No

8. LOCAL AUTHORITY

8.1 Name of Local Authority _____

8.2 Contact Person: _____

8.3 Contact Details: _____

8.4 Land use MHI approval status

Yes No

Attach proof.

If not, state the reasons:

8.5 Acknowledgement by Local Authority

Official Stamp

Received by: _____

DESIGNATION: _____

Contact: _____

Signature: _____

9. EMERGENCY PREPAREDNESS

9.1 Emergency preparedness plans

(a) On-site plan

Yes No

Attach proof

If not yet concluded attach action plan with clear targets dates of not more than six months.

Comments:

(b) Off-site plan

Yes No

Attach proof

If not yet concluded attach action plan with clear targets dates of not more than six months.

Comments:

9.2 Relevant Local authority responsible for activating emergency plans

Name: _____

Contact Person: _____

Designation: _____

Was there an agreement between the establishment and Local authority?

Yes No

If yes Attach proof

If no, comment on the plan of action and further agreements:

9.3 *What is the revision period (maximum of 3 years)?* _____

9.4 *Were employees consulted?*

Yes No

Attach consent from relevant health and safety representative (s) or health and safety committee.

9.5 *Were employees trained on emergency preparedness and procedures to follow during all types of emergencies?*

Yes No

If yes attach proof.

If no, attach plan of action.

ANNEXURE E**PAYABLE FEES**

The fees for the issue and renewal of a certificate of registration are set out in the third and fourth columns, respectively, of the table below opposite the MHI that falls within the category of MHI specified in the first column of the table below.

<i>CATEGORY OF MHI</i>	<i>CLASSES OF MHI</i>	<i>REGISTRATION FEE</i>	<i>RENEWAL FEE</i>
<i>Deemed MHI</i>	-	<i>R250</i>	<i>R250</i>
<i>Storage of one or more dangerous substances in warehouses</i>	<i>LOW</i>	<i>R250</i>	<i>R250</i>
	<i>MEDIUM</i>	<i>R300</i>	<i>R300</i>
	<i>HIGH</i>	<i>R350</i>	<i>R350</i>
<i>Bulk storage of one or more dangerous substances</i>	<i>LOW</i>	<i>R300</i>	<i>R300</i>
	<i>MEDIUM</i>	<i>R350</i>	<i>R350</i>
	<i>HIGH</i>	<i>R400</i>	<i>R400</i>
<i>Manufacturing and processing of one or more dangerous substances</i>	<i>LOW</i>	<i>R350</i>	<i>R350</i>
	<i>MEDIUM</i>	<i>R400</i>	<i>R400</i>
	<i>HIGH</i>	<i>R450</i>	<i>R450</i>

ANNEXURE F**FORM B****APPLICATION FOR REGISTRATION AS APPROVED MAJOR HAZARD
INSTALLATION INSPECTION AUTHORITY****DEPARTMENT OF LABOUR****OCCUPATIONAL HEALTH AND SAFETY ACT, 1993 (ACT NO.85 OF 1993)**

The Chief Inspector Department of Labour Private Bag X117 PRETORIA, 0001	
---	--

The Chief Inspector

I hereby apply to be approved as an approved inspection authority for major hazard establishments in terms of regulation 14 of the Major Hazard Installation Regulations, 2018. I declare that the particulars given hereunder are, to the best of my knowledge and belief, correct.

1. PARTICULARS OF INSPECTION BODY:

Registered name of Inspection Body: _____

Trading Name: _____

State whether you are a sole proprietor/partnership/company/closed corporation (delete which is not applicable)

Business registration number: _____

Chief Executive Officer: _____

Partners: _____

Province: _____

Physical Address: _____

2. SCOPE OF APPLICATION (tick appropriate block(s):

TYPE A	3 rd party	
TYPE B	Inhouse	
TYPE C	Manufacturer &	

3. SIGNATORIES:

3.1 _____

3.2 _____

3.3 _____

4. SPECIMEN SIGNATURE OF THE SIGNATORIES:

1		2		3		4
---	--	---	--	---	--	---

3.1				
3.2				
3.3				

SUPPORTING DOCUMENTS

- (a) Certified copy of IDs
- (b) Certified Business registration
- (c) Organogram of the inspection body
- (d) Certified copy of accreditation certificate and schedule from the accreditation body

Signature of the applicant _____

Date of Application: _____

FOR OFFICE USE

Application : APPROVED / NOT APPROVED

REASON FOR REFUSAL: _____

COMMENTS: _____

Allocated Registration Number : _____

Approving Official: _____

Signature: _____

Date: _____

ANNEXURE G**MONTHLY AIA REPORTS**

<i>Name of MHI</i>	<i>Physical Address</i>	<i>Type</i>	<i>MHI Responsible Person</i>	<i>AIA</i>	<i>Assessor</i>	<i>Type of assessment</i>	<i>Date of previous Assessment</i>	<i>Date of Assessment</i>	<i>LG contact details</i>	<i>AIA Number</i>	<i>File</i>

DEPARTMENT OF LABOUR

NO. R. 1484

15 NOVEMBER 2019

LABOUR RELATIONS ACT, 1995

NATIONAL BARGAINING COUNCIL OF THE LEATHER INDUSTRY OF SOUTH AFRICA: EXTENSION TO NON-PARTIES OF THE AGENCY SHOP COLLECTIVE AGREEMENT FOR EMPLOYEES

I, **THEMBELANI WALTERMADE NXESI**, Minister of Employment and Labour, hereby in terms of section 32(2) read with section 32(8) of the Labour Relations Act, 1995, declare that the provisions of the collective agreement which appears in the Schedule hereto, which was concluded in the **National Bargaining Council of the Leather Industry of South Africa** and is binding in terms of section 31 of the Labour Relations Act, 1995, on the parties which concluded the agreement, shall be binding on the other employers and employees in that Industry, with effect from the second Monday after the date of publication of the agreement and for the period ending 30 June 2027.

.....
MR TW NXESI, MP**MINISTER OF EMPLOYMENT AND LABOUR**DATE: 31/10/2019
.....

UMNYANGO WEZEMISEBENZI NEZABASEBENZI

R.

USUKU:

UMTHETHO WOBUDLELWANO KWEZABASEBENZI KA-1995**UMKHANDLU KAZWELONKE WOKUXOXISANA PHAKATHI KWABAQASHI
NABASEBENZI BEMBONINI YEZIKHUMBA:****UKWELULELWA KWESIVUMELWANO SEGATSHA ELIPHATHELENE NENTELA
YABASEBENZI SELULELWA KULABO ABANGEYONA INGXYENYE
YESIVUMELWANO**

Mina, **THEMBELANI WALTERMADE NXESI**, uNgqongqoshe Wezemisebenzi nezabaSebenzi, ngokwesigaba 32(2) sifundwa kanye nesigaba 32(8) soMthetho Wobudlelwano KwezabaSebenzi ka - 1995, ngazisa ukuthi isiVumelwano sabaqashi nabasebenzi esitholakala kwiSheduli yesiNgisi exhunywe lapha, esenziwa **uMkhandlu Kazwelonke Wokuxoxisana phakathi Kwabaqashi Nabasebenzi Embonini yeZikhumba**, futhi ngokwesigaba 31 soMthetho Wobudlelwano kwezabaSebenzi, ka 1995 esibopha labo abasenzayo, sizobopha bonke abanye abaqashi nabasebenzi kuleyomboni, kusukela ngomSombuluko wasibili emuva kokushicilelwa kwalesiSivumelwano kufikela ngomhlaka 30 kuNhlangulana 2027.


MR TW NXESI, MP**UNGQONGQOSHE WEZEMISEBENZI NEZABASEBENZI**USUKU: 31/10/2019

SCHEDULE**NATIONAL BARGAINING COUNCIL OF THE LEATHER INDUSTRY OF SOUTH
AFRICA
AGENCY SHOP COLLECTIVE AGREEMENT FOR EMPLOYEES**

in accordance with the provisions of the Labour Relations Act, No.66 of 1995, made and entered into by and between the:

- a) Southern African Footwear and Leather Industries Association (SAFLIA)**
- b) South African Tanning Employers Organisation (SATEO);**
- c) Association of South African Manufacturers of Luggage, Handbags and General Goods;**

(Hereinafter referred to as the “employers” or the “employer organisations” on the one part), and

- d) National Union of Leather & Allied Workers (N.U.L.A.W)**
- and

- e) Southern African Clothing and Textile Workers Union**

(Hereinafter referred to as the “employees” or the “trade unions” of the other part.

being parties to the National Bargaining Council of the Leather Industry of South Africa, to amend and extend the Agreement published under Government Notice No. 909 of 24 November 2017.



1. CLAUSE 1: SCOPE OF APPLICATION OF AGREEMENT

- (1) The terms of this Agreement shall be observed in the Leather Industry -
 - (a) by all employers who are members of the employers' organisations and by the party trade unions in the Leather Industry, respectively;
 - (b) in the Republic of South Africa.
- (2) The terms of this Agreement will apply only to employees for whom wages are prescribed in any of the Main Collective Agreements of the Council.
- (3) The terms of this Agreement shall not apply to non-parties in respect of Clauses 1(1)(a) and 2(1).

2. CLAUSE 2: DATE AND PERIOD OF OPERATION

- (1) This Agreement will come into operation for the parties on 01 July 2019 and remain in force for the period ending 30 June 2027,
- (2) This Agreement will come into operation for non-parties on such date as the Minister of Labour extends the agreement to them, and will thereafter remain in force for the period ending 30 June 2027.

3. CLAUSE 4: THE AGENCY SHOP AGREEMENT

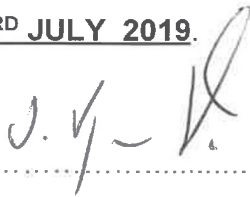
Substitute the following for subclause 4(6):

“The agency fee shall be equal to 1% (one percent) but not exceeding R19.15 of the employee's basic weekly wage.”


Handwritten signatures and initials in black ink, including a large signature on the left, a smaller signature on the right, and several initials below them.

SIGNED BY THE PARTIES AT DURBAN ON THE 23RD JULY 2019.

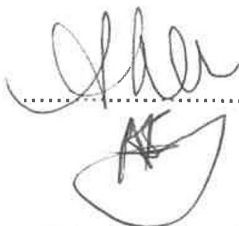
J J V VYMETAL, Member of the Council


.....


M J OOSTHUIZEN, Member of the Council


.....


A OWEN, Member of the Council


.....


A O BENJAMIN, Member of the Council


.....

V MEMBINKOSI, Member of the Council


.....

S NAIDOO, General Secretary of
the Council


.....

NATIONAL TREASURY

NO. R. 1485

15 NOVEMBER 2019

DETERMINATION OF AMOUNTS FOR PURPOSES OF THE MILITARY PENSIONS ACT, 1976 (ACT 84 OF 1976)

1. The Minister of Finance has, in terms of the provisions of sections 1 and 5 of the Military Pensions Act, 1976 (Act 84 of 1976), read with section 3 (2) of the Act, determined that, with effect from 1 April 2019—
 - (a) for the purposes of formula I as defined in section 1 of the said Act, factor A of the said formula shall represent an amount—
 - (i) mentioned in the Schedule; or
 - (ii) the amount as determined by the Director-General to a minimum of **R 86 712.00** according to which one of the said amounts is the most advantageous to the member:
 - (b) for the purposes of formula II, as defined in section 1 of the said Act, factor C of the said formula shall represent the amount of **R14 393.64** and
 - (c) the gratuity payable to the member who suffers from a pensionable disability which has in terms of the said Act been determined at 10 per cent or less shall be **R9 597.00**;
 - (d) the gratuity payable to a member who suffers from a pensionable disability which has in terms of the said Act been determined at more than 10 per cent but less than 20 per cent shall be **R19 191.00**.
2. All members who are in possession of a three-year bachelor's degree or a matriculation certificate and who have, immediately prior to 1 April 1998, received an amount as contemplated in paragraph 1 (a) of Government Notice No. R.1280 of 3 October 1997 shall receive an amount as set out in the Schedule.
3. Government Notice **No. R 41997 of 26 October 2018** is hereby withdrawn.

Mr TT Mboweni, (MP)
Minister of Finance

SCHEDULE OF ANNUAL PENSIONS

Percentage disablement	Basic pension	Matriculation certificate	Three- year bachelor's degree
100	86 712.00	89 663.64	98 974.92
90	78 040.56	80 697.36	89 077.20
80	69 370.20	71 731.44	79 180.56
70	60 698.16	62 764.44	69 282.36
60	52 027.32	53 798.52	59 385.24
50	43 356.48	44 832.36	49 488.12
40	34 684.80	35 865.36	39 589.92
30	26 013.72	26 899.20	29 692.32
20	17 342.28	17 932.68	19 794.96

NASIONALE TESOURIE

NO. R. 1485

15 NOVEMBER 2019

BETALING VAN BEDRAE VIR DOELEINDES VAN DIE WET OP MILITÊRE PENSIOENE, 1976 (WET 84 VAN 1976)

1. Die Minister van Finansies het kragtens die bepalings van artikels 1 en 5 van die Wet op Militêre Pensioene, 1976 (Wet 84 van 1976), saamgelees met artikel 3 (2) van die Wet, met ingang van 1 April 2019—
 - (a) vir die doeleindes van formule I, soos omskryf in artikel 1 van vermelde Wet, faktor A van bedoelde formule I, 'n bedrag voorstel—
 - (i) die toepaslike bedrag volgens die Bylae; of
 - (ii) die bedrag soos deur die Direkteur-generaal bepaal tot 'n minimum van **R 86 712.00** na gelang van watter een van sodanige bedrae vir die lid die voordeligste is;
 - (b) vir die doeleindes van formule II, soos omskryf in artikel 1 van vermelde Wet, faktor C van bedoelde formule die bedrag van **R14 393.64** voorgestel; en
 - (c) die gratifikasie betaalbaar aan 'n lid wat ly aan 'n pensioengewende ongeskiktheid wat ingevolge vermelde Wet op 10 persent of minder vasgestel is, bedra **R 9 597.00**;
 - (d) die gratifikasie betaalbaar aan 'n lid wat ly aan 'n pensioengewende ongeskiktheid wat ingevolge vermelde Wet op meer as 10 persent en minder as 20 persent vasgestel is, bedra **R 19 191.00**.
2. Alle lede wat in besit van 'n driejarige baccalaureusgraad of 'n matrikulasie sertifikaat is en wat onmiddellik voor 1 April 1998 'n bedrag bedoel in paragraaf 1 (a) van Goewermentskennisgewing No. R.1280 van 3 Oktober 1997 ontvang het, moet 'n bedrag soos uiteengesit in die Bylae ontvang.
3. Goewermentskennisgewing **No. R 41997 of 26 Oktober 2018** word hierby herroep.

Mr TT Mboweni, (LP)
Minister van Finansies

SCHEDULE OF ANNUAL PENSIONS

Percentage disablement	Basic pension	Matriculation certificate	Three- year bachelor's degree
100	86 712.00	89 663.64	98 974.92
90	78 040.56	80 697.36	89 077.20
80	69 370.20	71 731.44	79 180.56
70	60 698.16	62 764.44	69 282.36
60	52 027.32	53 798.52	59 385.24
50	43 356.48	44 832.36	49 488.12
40	34 684.80	35 865.36	39 589.92
30	26 013.72	26 899.20	29 692.32
20	17 342.28	17 932.68	19 794.96

NON-GOVERNMENTAL ORGANIZATION**NO. R. 1486****15 NOVEMBER 2019****NOTICE OF APPLICATION FOR THE DEFINING OF PRODUCTION AREA
GREATER CAPE (OVERARCHING GEOGRAPHICAL UNIT)**

(In terms of Section 6 of the Wine of Origin Scheme published by Government Notice No. R.1434 of 29 June 1990)

Please take note that Leeuwenkuil Family Vineyards applied to the Wine and Spirit Board to define Greater Cape as a production area (Overarching Geographical Unit) to produce Wine of Origin.

Greater Cape includes the production areas (Geographical Units) Eastern Cape, Northern Cape and Western Cape.

The proposed boundaries can be viewed at www.sawis.co.za – "Certification – News and Information" or contact Jackie Cupido at 021-807 5704.

Anyone having any objection against this application is hereby notified to lodge their objections, with motivations, in writing with Olivia Poonah (olivia@wsb.org.za) Secretary, Wine and Spirit Board, P O Box 2176, Dennesig, Stellenbosch, 7599 within 30 (thirty) days of publication of this notice.

NIE-REGERINGSORGANISASIE**NO. R. 1486****15 NOVEMBER 2019****KENNISGEWING VAN AANSOEK VIR DIE OMSKRYWING VAN PRODUKSIEGEBIED GREATER CAPE
(OORKOPELENDE STREEK)**

(Ingevolge Artikel 6 van die Wyn van Oorsprong-skema gepubliseer by Goewerments-kennisgewing No. R.1434 van 29 Junie 1990)

Neem kennis dat Leeuwenkuil Family Vineyards by die Wyn- en Spiritusraad aansoek gedoen het vir die omskrywing van die produksiegebied Greater Cape (Oorkoepelende streek) om Wyn van Oorsprong te produseer.

Greater Cape sluit die produksiegebiede (Geografiese eenhede) Oos-Kaap, Noord-Kaap en Wes-Kaap in.

Die voorgestelde grense is ter insae by www.sawis.co.za onder "Sertifisering – Nuus en inligting" of kontak Jackie Cupido by 021 807 5704.

Enigeen wat beswaar het teen die aansoek, moet sy/haar beswaar, met opgaaf van redes, skriftelik indien by Olivia Poonah (olivia@wsb.org.za), Sekretaris, Wyn- en Spiritusraad, Posbus 2176, Dennesig, Stellenbosch, 7599, binne 30 dae van publikasie van hierdie kennisgewing.

NON-GOVERNMENTAL ORGANIZATION

NO. R. 1487

15 NOVEMBER 2019

**NOTICE OF APPLICATION FOR THE DEFINING OF PRODUCTION AREA
CAPE WEST COAST (SUBREGION)**

(In terms of Section 6 of the Wine of Origin Scheme published by Government Notice No. R.1434 of 29 June 1990)

Please take note that the Wine and Spirit Board gave permission to define Cape West Coast (Subregion) as a production area to produce Wine of Origin.

The expression West Coast is frequently used in the vernacular and the impression was created that it is a smaller specific area within the current Coastal Region. This motivation and description is an attempt to define the area on the basis of prominent natural characteristics, namely geology and climate.

Geology: West Coast is associated with sandy soils (except the Darling tops) and is one of the factors taken into account with the demarcation (**Fig. 1**).

Climate: West Coast is seen as a cool area where temperatures are buffered by the cold Benguela current in the Atlantic Ocean. The effect is at its strongest on the coastline and decreases as it moves inland from the coastline. The growing season (15 September to 15 March) accumulated degree days, were used to depict the effect and was used as the main guideline to delineate the Cape West Coast's eastern boundary (**Fig. 2**).

Districts and wards included: The districts Darling, Lutzville Valley and Swartland (partially) and the wards Groenekloof, St Helena Bay, Lamberts Bay, Bamboes Bay and Koekenaap.

Description of boundaries (Figs. 1 and 2): The southern boundary starts at the coastline just above Melkbos and runs eastward on the Swartland district's southern boundary to the N7 above Philadelphia.

The eastern boundary runs along the N7 for 10 km in a north-easterly direction towards the boundary of the Malmesbury Ward and follows the boundary northwards, roughly on the geological separation between the shales and the sands and rather follows farm boundaries and rivers for practical purposes.

The boundary runs north from the Berg River at Zanddrif along with the Boesmans River to the boundary of St Helena Bay Ward and then runs northwards to Elands Bay, where the boundary proceeds to a 10 km coastal buffer that includes Wards Lamberts Bay and Bamboes Bay.

The border continues along the Cape Coast border to Hoekbaai where the Western Cape ends.

The proposed boundaries can be viewed at www.sawis.co.za – "Certification – News and Information" or contact Jackie Cupido at 021-807 5704.

Anyone having any objection against this application is hereby notified to lodge their objections, with motivations, in writing with Olivia Poonah (olivia@wsb.org.za), Secretary, Wine and Spirit Board, P O Box 2176, Dennesig, Stellenbosch, 7599 within 30 (thirty) days of publication of this notice.

NIE-REGERINGSORGANISASIE

NO. R. 1487

15 NOVEMBER 2019

KENNISGEWING VAN AANSOEK VIR DIE OMSKRYWING VAN PRODUKSIEGEBIED
KAAP WESKUS (SUBSTREEK)

(Ingevolge Artikel 6 van die Wyn van Oorsprong-skema gepubliseer by Goewerments-kennisgewing No. R.1434 van 29 Junie 1990)

Neem kennis dat die Wyn- en Spiritusraad toestemming verleen het vir die afbakening van die produksiegebied Kaap Weskus (Substreek) om Wyn van Oorsprong te produseer.

Die term Weskus word gereeld in die volksmond gebruik en die indruk word geskep dat dit 'n kleiner spesifieke area binne die huidige Kusstreek is. Hierdie motivering en beskrywing is 'n poging om die area aan die hand van prominente natuurlike eienskappe, naamlik temperatuur en geologie, te definieer.

Geologie: Weskus word geassosieer met sandgronde (behalwe die Darling koppe) en is een van die faktore wat in ag geneem is met die afbakening (**Fig. 1**).

Klimaat: Weskus word gesien as 'n koel area waar die temperature gebuffer word deur die koue Benguela seestroom in die Atlantiese oseaan. Die effek is op sy sterkste teenaan die kuslyn en verminder soos binneland toe wegbeweeg word vanaf die kuslyn. Die groeiseisoen (15 September tot 15 Maart) geakkumuleerde graaddae is gebruik om die effek uit te beeld en is as die hoof riglyn gebruik om die Kaap Weskus se oostelike grens af te baken (**Fig. 2**).

Distrikte en Wyke wat ingesluit word: Die distrikte Darling, Lutzville Vallei en Swartland (gedeeltelik) en die wyke Groenekloof, St Helenabaai, Lambertsbaai, Bamboesbaai en Koekenaap.

Beskrywing van grense (Fig. 1 en 2): Die suidelike grens begin teenaan die see net bo Melkbos en loop ooswaarts op die Swartland distrik se suidelike grens tot teenaan die N7 bo Philadelphia.

Die oostelike grens loop saam met die N7 vir 10 km in 'n noord-oostelike rigting tot teenaan die Malmesbury wyk grens en volg die grens noordwaarts rofweg op die geologiese skeiding tussen die skalies en die sande en volg eerder plaasgrense en riviere vir praktiese doeleindes.

Die grens loop noordwaarts uit die Bergrivier by Zanddrif saam met die Boesmansrivier tot teenaan die St Helenabaai wyk grens en loop dan noordwaarts na Elandsbaai, waar die grens oorgaan na 'n 10 km kus-buffer wat Lambertsbaai- en Bamboesbaai wyke insluit.

Die grens loop voorts saam met die Kaap Kus grens tot by Hoekbaai waar die Wes-Kaap eindig.

Die voorgestelde grense is ter insae by www.sawis.co.za onder "Sertifisering – Nuus en inligting" of kontak Jackie Cupido by 021 807 5704.

Enigeen wie beswaar het teen die aansoek, moet sy/haar beswaar, met opgaaf van redes, skriftelik indien by Olivia Poonah (olivia@wsb.org.za), Sekretaris, Wyn- en Spiritusraad, Posbus 2176, Dennesig, Stellenbosch, 7599, binne 30 dae van publikasie van hierdie kennisgewing.

NON-GOVERNMENTAL ORGANIZATION

NO. R. 1488

15 NOVEMBER 2019

**NOTICE OF APPLICATION FOR THE DEFINING OF PRODUCTION AREAS (WARDS)
GROBLERSHOOP, GROOTDRINK, KAKAMAS, KEIMOES, UPINGTON AND
AMENDMENT OF CENTRAL ORANGE RIVER WARD TO A DISTRICT**

(In terms of Section 6 of the Wine of Origin Scheme published by Government Notice No. R.1434 of 29 June 1990)

Please take note that Orange Rivier Cellars applied to the Wine and Spirit Board to define Groblershoop, Grootdrink, Kakamas, Keimoes and Upington as production areas (Wards) to produce Wine of Origin.

Central Orange River District, consists of a 5km buffer strip, on both sides of the Orange River and extends from Boegoeberg Dam to the Augrabies waterfalls (a distance of about 275 kilometers), has been changed from a Ward to a District to accommodate new wards. The proposal is to divide the District into five Wards, namely:

- **Groblershoop Ward:** The Ward extends from the Boegoeberg Dam embankment, downstream to Kalkwerf. Topography was used to distinguish it from the Grootdrink Ward.
- **Grootdrink Ward:** The Ward extends from Kalkwerf to Leerhoek, just before the Rooikoppe.
- **Upington Ward:** From Leerhoek, the Ward extends and includes the town Upington just before Kanoneiland.
- **Keimoes Ward:** The upper boundary runs perpendicular to the river just above Kanoneiland and ends on the Neusberggrif at the weir of the Neus.
- **Kakamas Ward:** The Ward starts at the top of Neusberg and extends just before the Augrabies waterfalls on the boundary of the Central Orange River District.

The proposed boundaries can be viewed at www.sawis.co.za – "Certification – News and Information" or contact Jackie Cupido at 021-807 5704.

Anyone having any objection against this application is hereby notified to lodge their objections, with motivations, in writing with Olivia Poonah (olivia@wsb.org.za), Secretary, Wine and Spirit Board, P O Box 2176, Dennesig, Stellenbosch, 7599 within 30 (thirty) days of publication of this notice.

NIE-REGERINGSORGANISASIE

NO. R. 1488

15 NOVEMBER 2019

**KENNISGEWING VAN AANSOEK VIR DIE OMSKRYWING VAN PRODUKSIEGEBIEDE (WYKE)
GROBLERSHOOP, GROOTDRINK, KAKAMAS, KEIMOES, UPINGTON EN
WYSIGING VAN SENTRAAL ORANJERIVIER WYK NA DISTRIK**

(Ingevolge Artikel 6 van die Wyn van Oorsprong-skema gepubliseer by Goewerments-kennisgewing No. R.1434 van 29 Junie 1990)

Neem kennis dat Oranjerivier Wynkelders by die Wyn- en Spiritusraad aansoek gedoen het vir die omskrywing van Groblershoop, Grootdrink, Kakamas, Keimoes en Upington as produksiegebiede (wyke) om Wyn van Oorsprong te produseer.

Sentraal Oranjerivier Distrik, bestaan uit 'n 5km bufferstrook aan weerskante van die Oranjerivier en strek vanaf Boegoebergdam tot by die Augrabies watervalle ('n afstand van ongeveer 275 kilometer), is van 'n Wyk na 'n Distrik verander om nuwe wyke te akommodeer. Die voorstel is om die Distrik in vyf Wyke op te deel naamlik:

- **Groblershoop Wyk:** Vanaf die Boegoebergdamwal strek die Wyk stroomaf tot by Kalkwerf. Topografie is gebruik om dit van die Grootdrink Wyk te onderskei.
- **Grootdrink Wyk:** Van Kalkwerf strek die Wyk tot by Leerhoek, net voor die Rooikoppe.
- **Upington Wyk:** Van Leerhoek strek die Wyk oor Upington dorp tot net voor Kanoneiland.
- **Keimoes Wyk:** Die boonste grens loop loodreg oor die rivier net bo Kanoneiland en eindig op die Neusberggrif by die Neus keerwal.
- **Kakamas Wyk:** Die Wyk begin bo—op Neusberg en strek tot net voor die Augrabiesvalle op die Sentraal Oranjerivier Distrik grens.

Die voorgestelde grense is ter insae by www.sawis.co.za onder "Sertifisering – Nuus en inligting" of kontak Jackie Cupido by 021 807 5704.

Enigeen wat beswaar het teen die aansoek, moet sy/haar beswaar, met opgaaf van redes, skriftelik indien by Olivia Poonah (olivia@wsb.org.za), Sekretaris, Wyn- en Spiritusraad, Posbus 2176, Dennesig, Stellenbosch, 7599, binne 30 dae van publikasie van hierdie kennisgewing.


SOUTH AFRICAN REVENUE SERVICE

NO. R. 1489

15 NOVEMBER 2019

**CUSTOMS AND EXCISE ACT, 1964.
AMENDMENT OF SCHEDULE NO. 1 (NO. 1/5/166)**

In terms of section 48 of the Customs and Excise Act, 1964, Part 5 of Schedule No. 1 to the said Act is hereby amended, with retrospective effect from 5 June 2019, to the extent set out in the Schedule hereto.


 DR DAVID MASONDO
 DEPUTY MINISTER OF FINANCE

SCHEDULE

By the substitution of the following:

Fuel Levy Item	Tariff Heading	Article Description	Rate of Fuel Levy
195.20.01	3826.00.10	Biodiesel as specified in Additional Note 1(a) to Chapter 38	170,5c/li

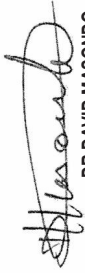
SUID-AFRIKAANSE INKOMSTEDIENS

NO. R. 1489

15 NOVEMBER 2019

**DOEANE- EN AKSYNSWET, 1964.
WYSIGING VAN BYLAE NO. 1 (NO. 1/5/166)**

Kragtens artikel 48 van die Doeane- en Aksynswet, 1964, word Deel 5 van Bylae No. 1 by bogenoemde Wet hiermee gewysig, met terugwerkende krag vanaf 5 Junie 2019, in die mate in die Bylae hierby aangetoon.



**DR DAVID MASONDO
ADJUNKMINISTER VAN FINANSIES**

BYLAE

Deur die vervanging van die volgende:

Brandstof- heffingitem	Tariefpos	Artikel Beskrywing	Skaal van Brandstofheffing
195.20.01	3826.00:10	Biodiesel soos omskryf in Addisionele Opmerking 1(a) by Hoofstuk 38	170,5c/ll

WARNING!!!

To all suppliers and potential suppliers of goods to the Government Printing Works

The Government Printing Works would like to warn members of the public against an organised syndicate(s) scamming unsuspecting members of the public and claiming to act on behalf of the Government Printing Works.

One of the ways in which the syndicate operates is by requesting quotations for various goods and services on a quotation form with the logo of the Government Printing Works. Once the official order is placed the syndicate requesting upfront payment before delivery will take place. Once the upfront payment is done the syndicate do not deliver the goods and service provider then expect payment from Government Printing Works.

Government Printing Works condemns such illegal activities and encourages service providers to confirm the legitimacy of purchase orders with GPW SCM, prior to processing and delivery of goods.

To confirm the legitimacy of purchase orders, please contact:

Anna-Marie du Toit (012) 748-6292 (Anna-Marie.DuToit@gpw.gov.za) and

Siraj Rizvi (012) 748-6380 (Siraj.Rizvi@gpw.gov.za)

Printed by and obtainable from the Government Printer, Bosman Street, Private Bag X85, Pretoria, 0001
Contact Centre Tel: 012-748 6200. eMail: info.egazette@gpw.gov.za
Publications: Tel: (012) 748 6053, 748 6061, 748 6065